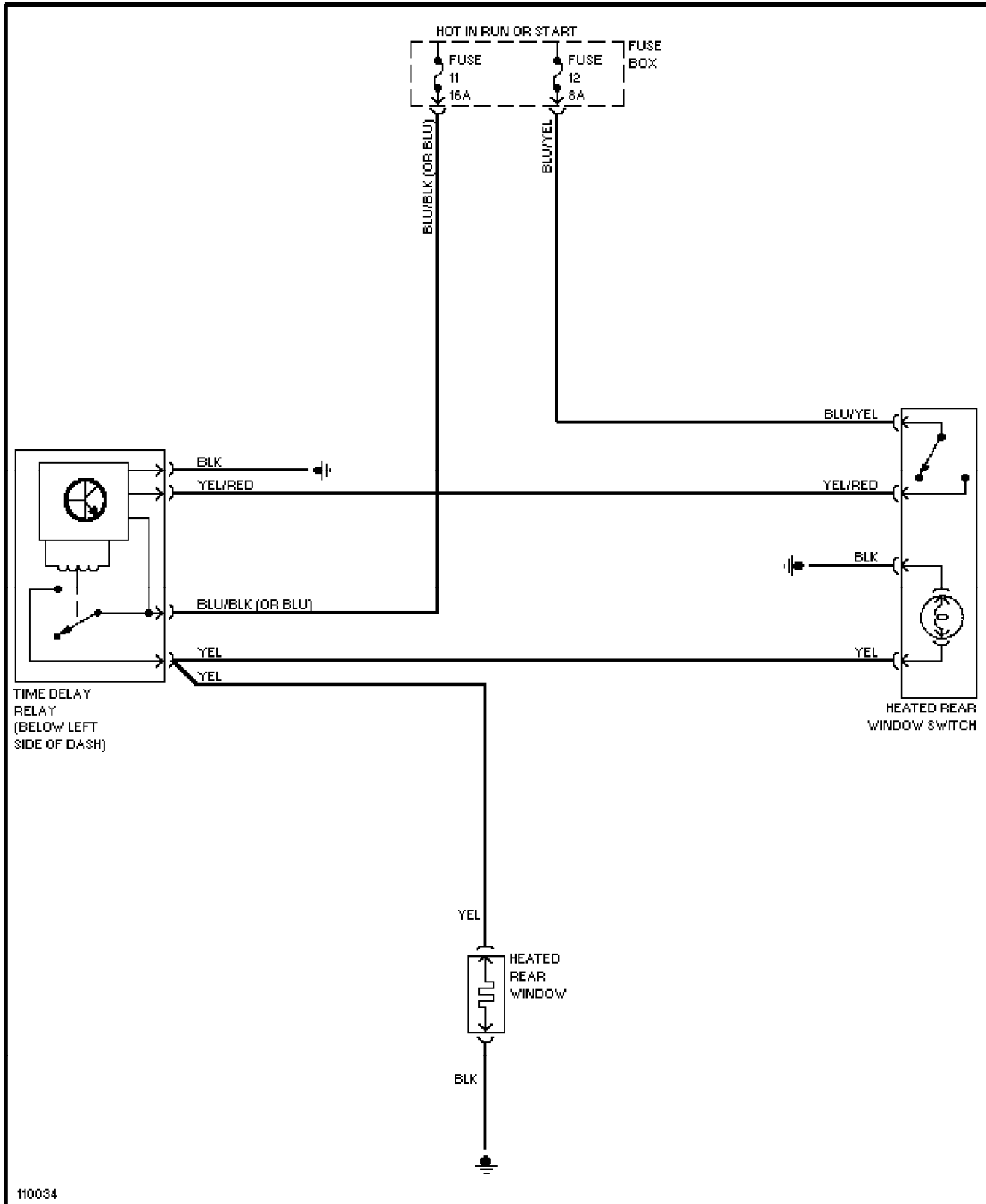


SYSTEM WIRING DIAGRAMS

Rear Defogger Circuit

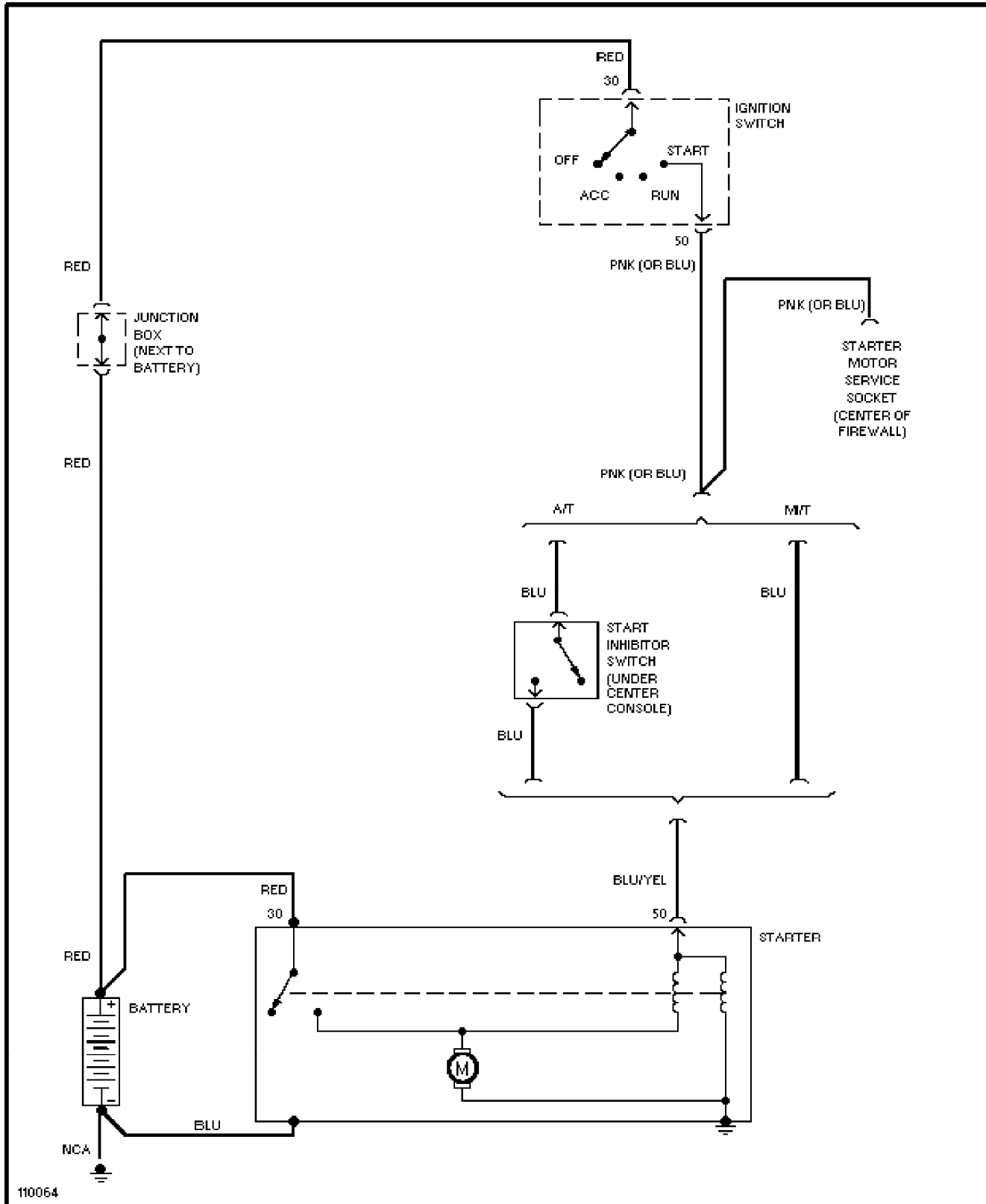
1986 Volvo 240DL/GL



SYSTEM WIRING DIAGRAMS

Starting Circuit

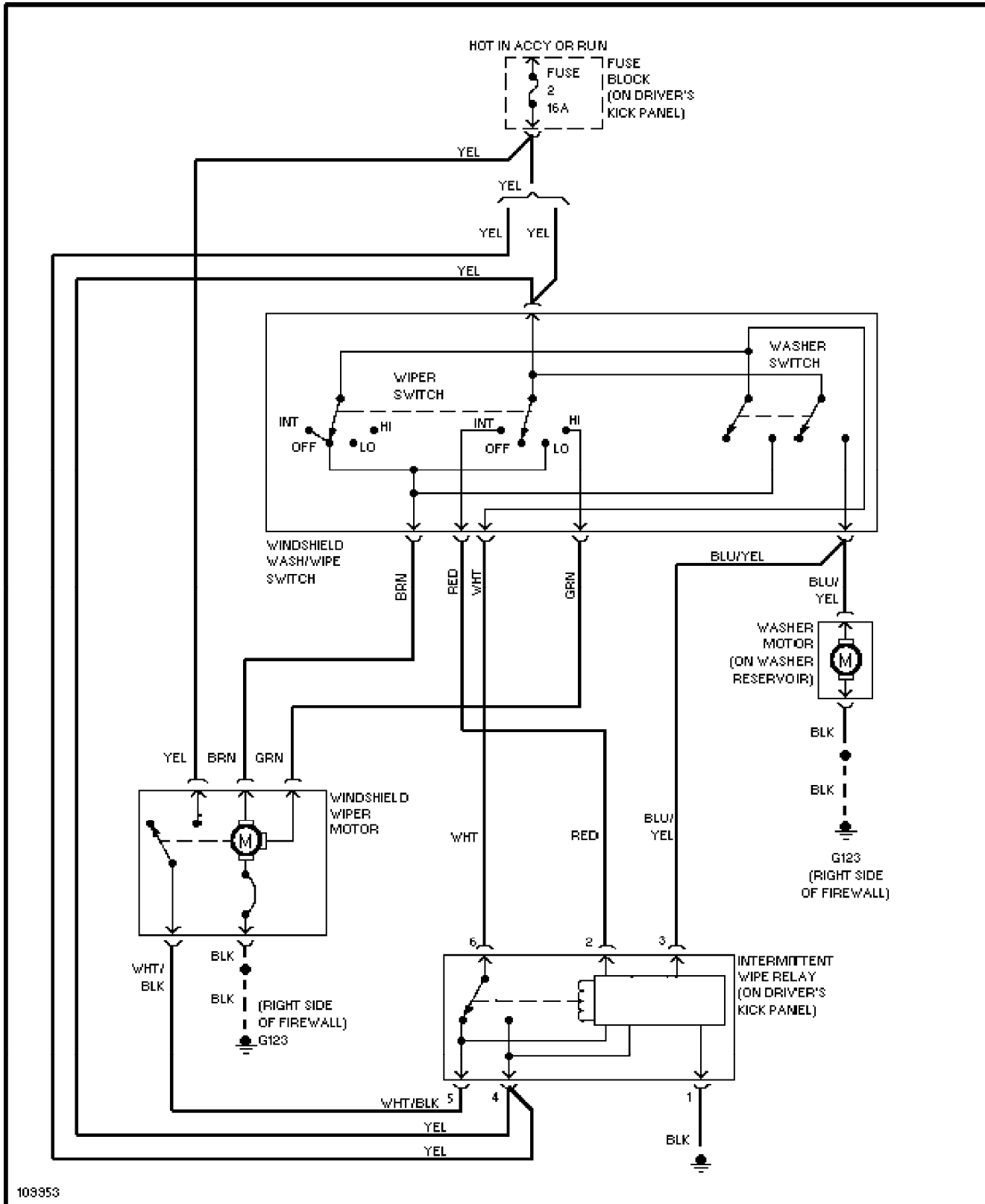
1986 Volvo 240DL/GL



SYSTEM WIRING DIAGRAMS

Front Washer/Wiper Circuit

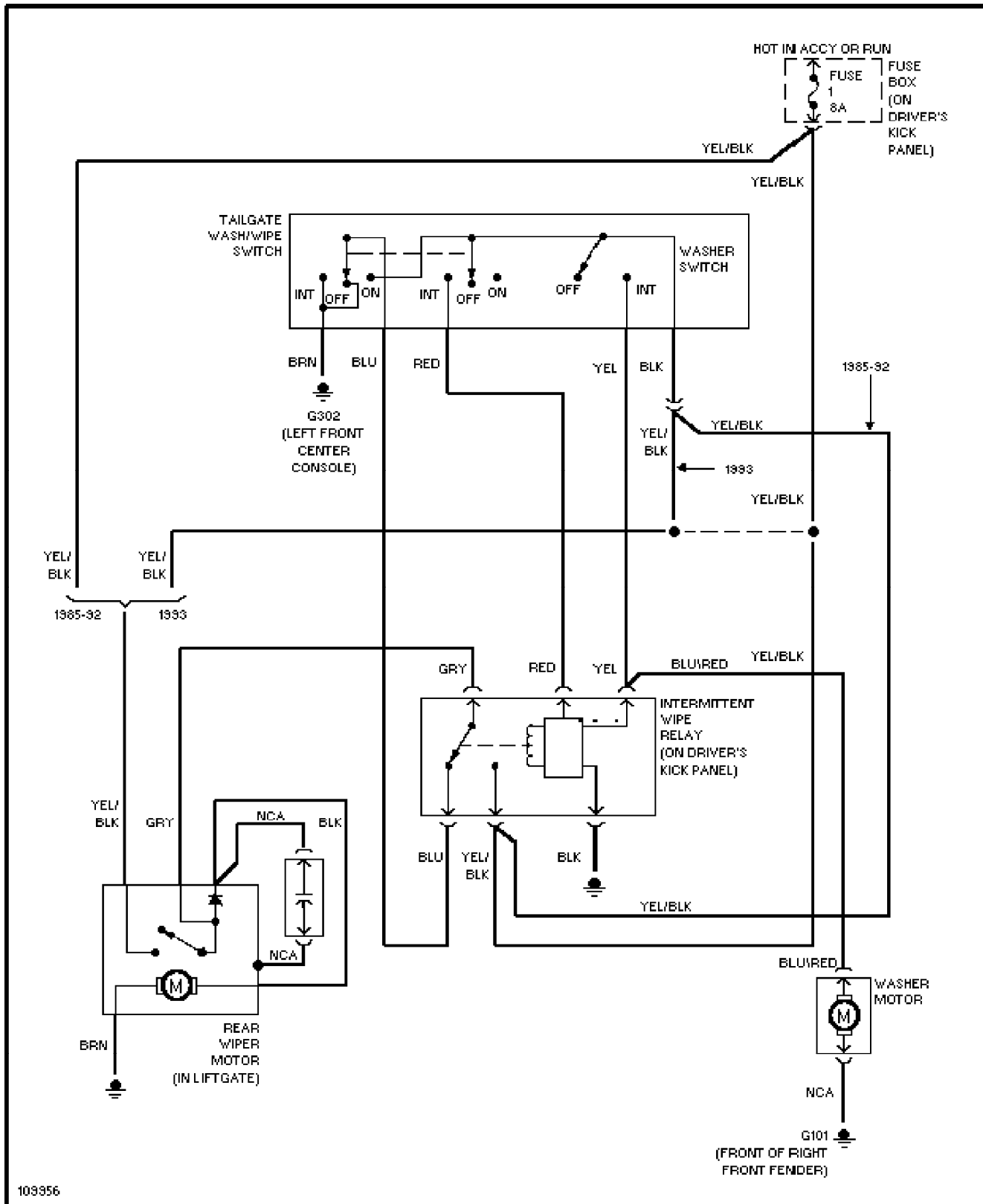
1986 Volvo 240DL/GL



SYSTEM WIRING DIAGRAMS

Rear Washer/Wiper W/ Intermittent Relay Circuit

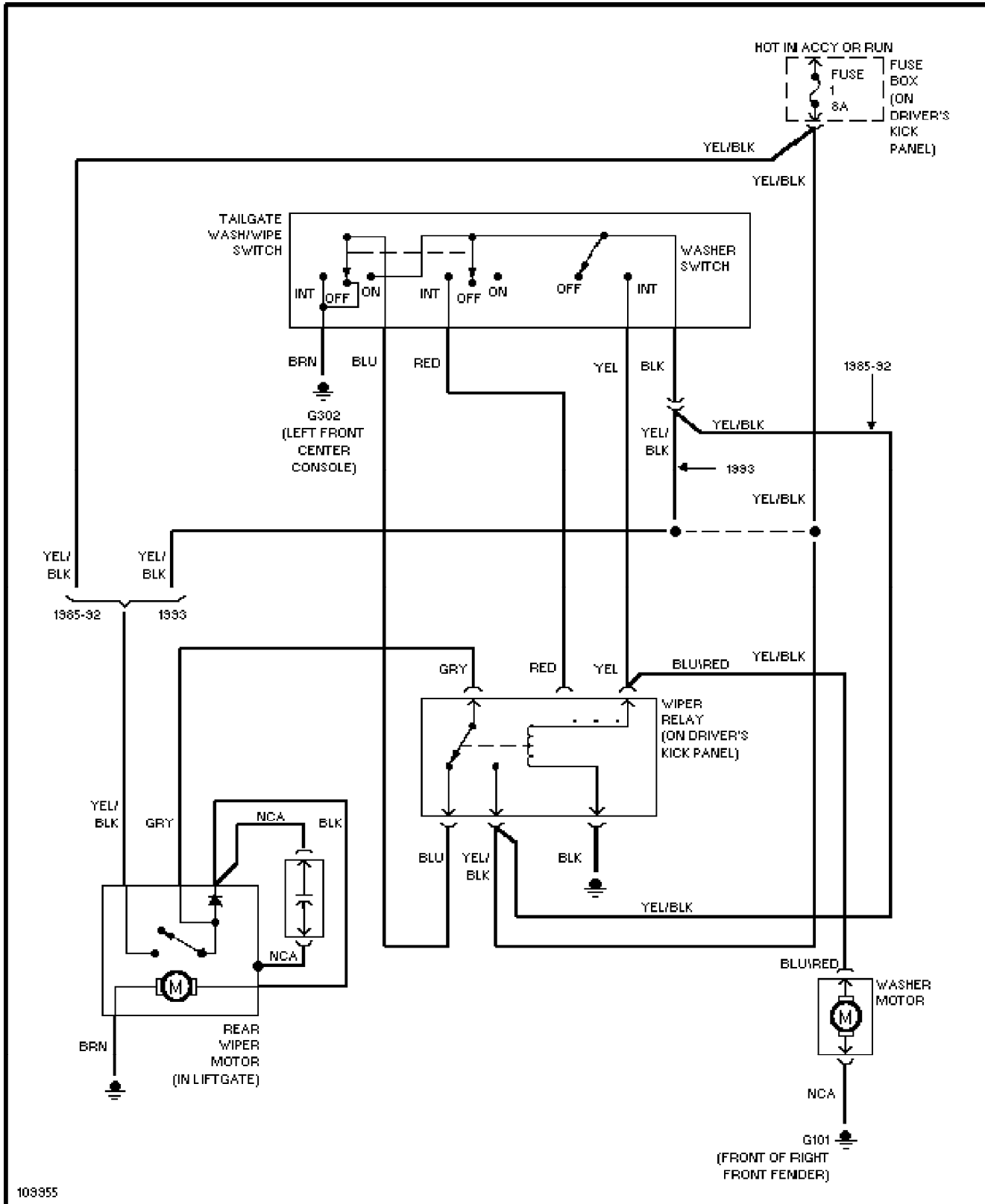
1986 Volvo 240DL/GL



SYSTEM WIRING DIAGRAMS

Rear Washer/Wiper W/O Intermittent Relay Circuit

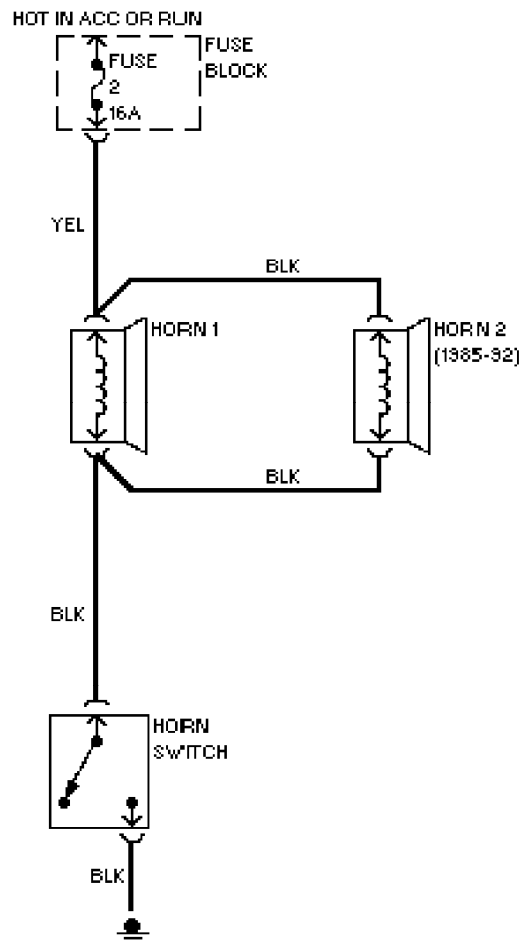
1986 Volvo 240DL/GL



SYSTEM WIRING DIAGRAMS

Horn Circuit

1986 Volvo 240DL/GL

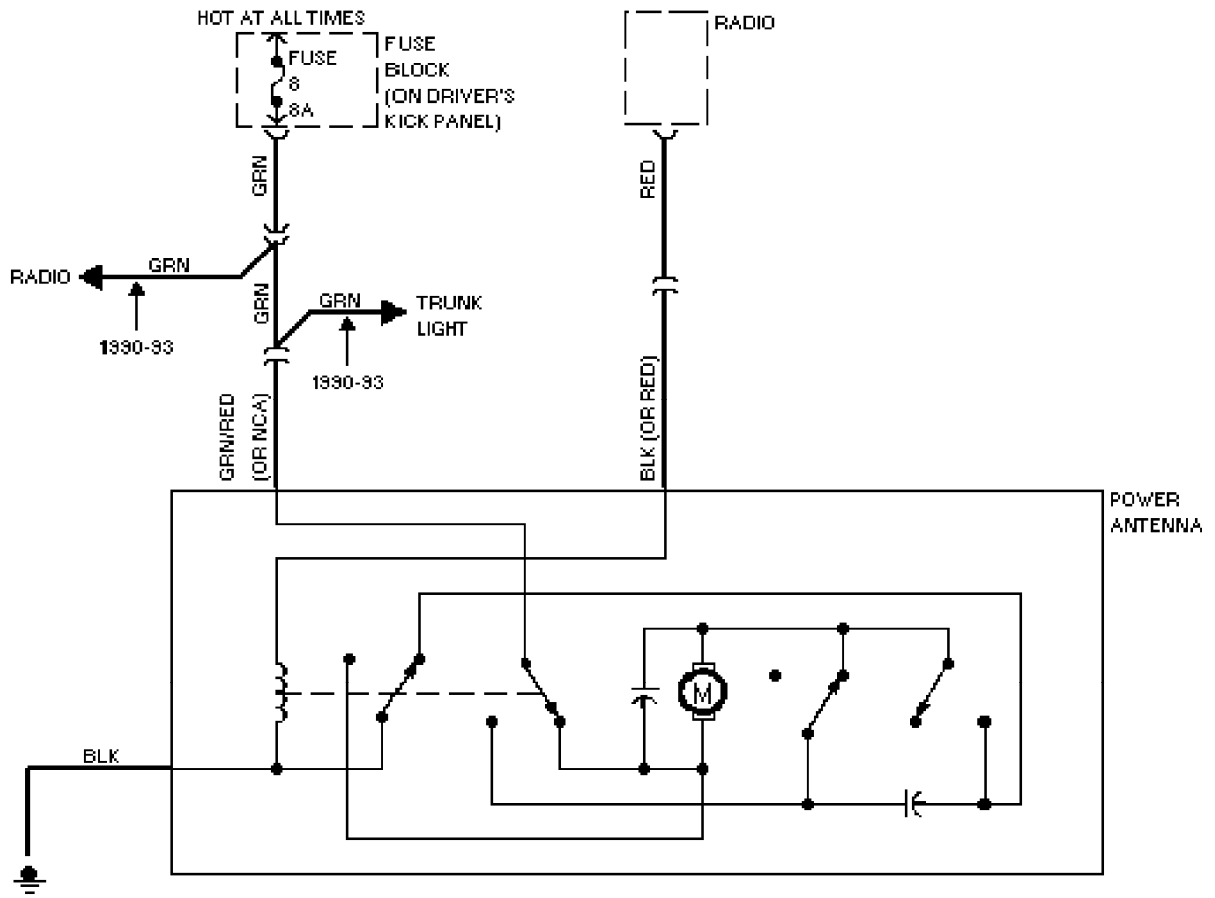


103960

SYSTEM WIRING DIAGRAMS

Power Antenna Circuit

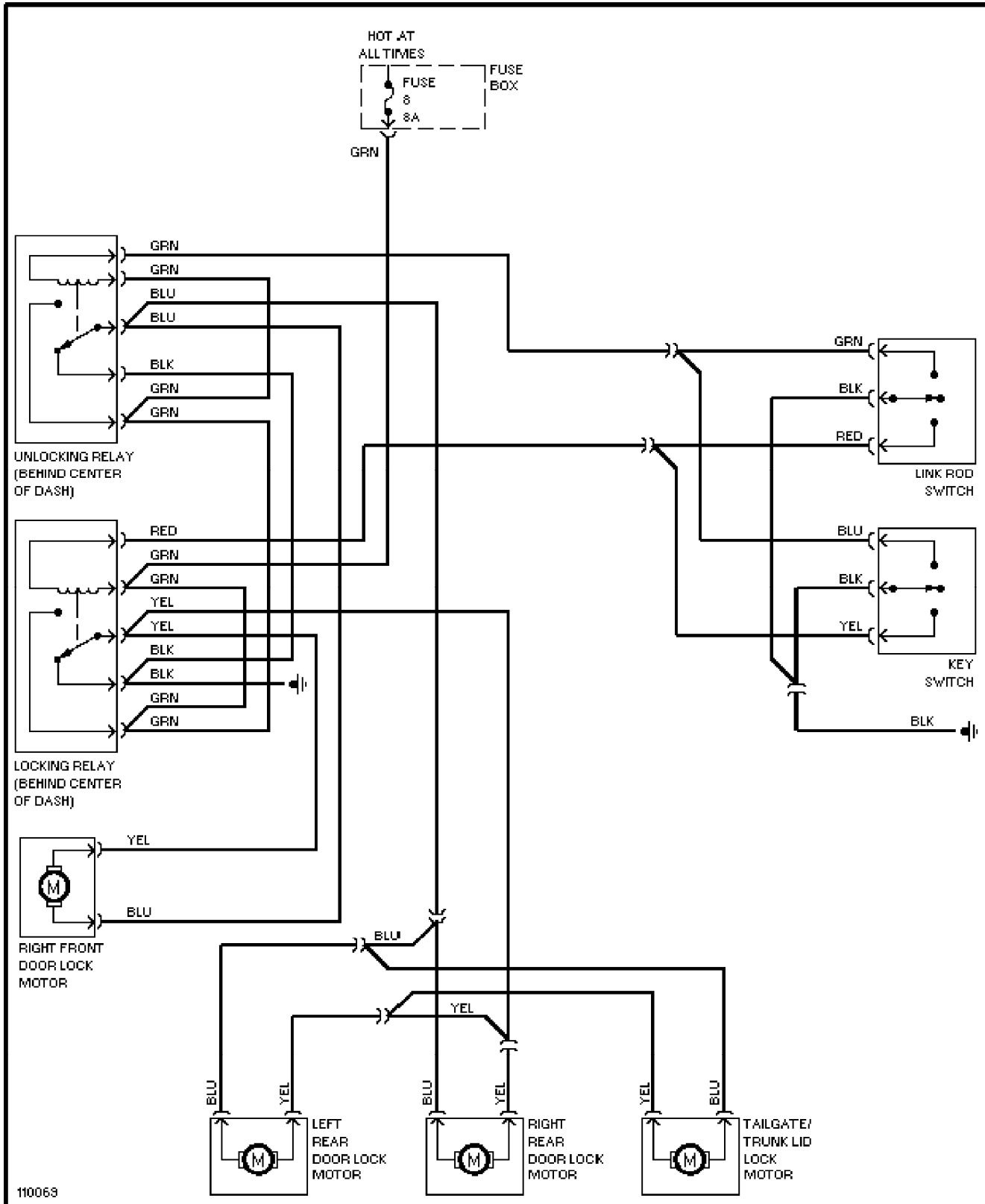
1986 Volvo 240DL/GL



SYSTEM WIRING DIAGRAMS

Power Door Lock Circuit

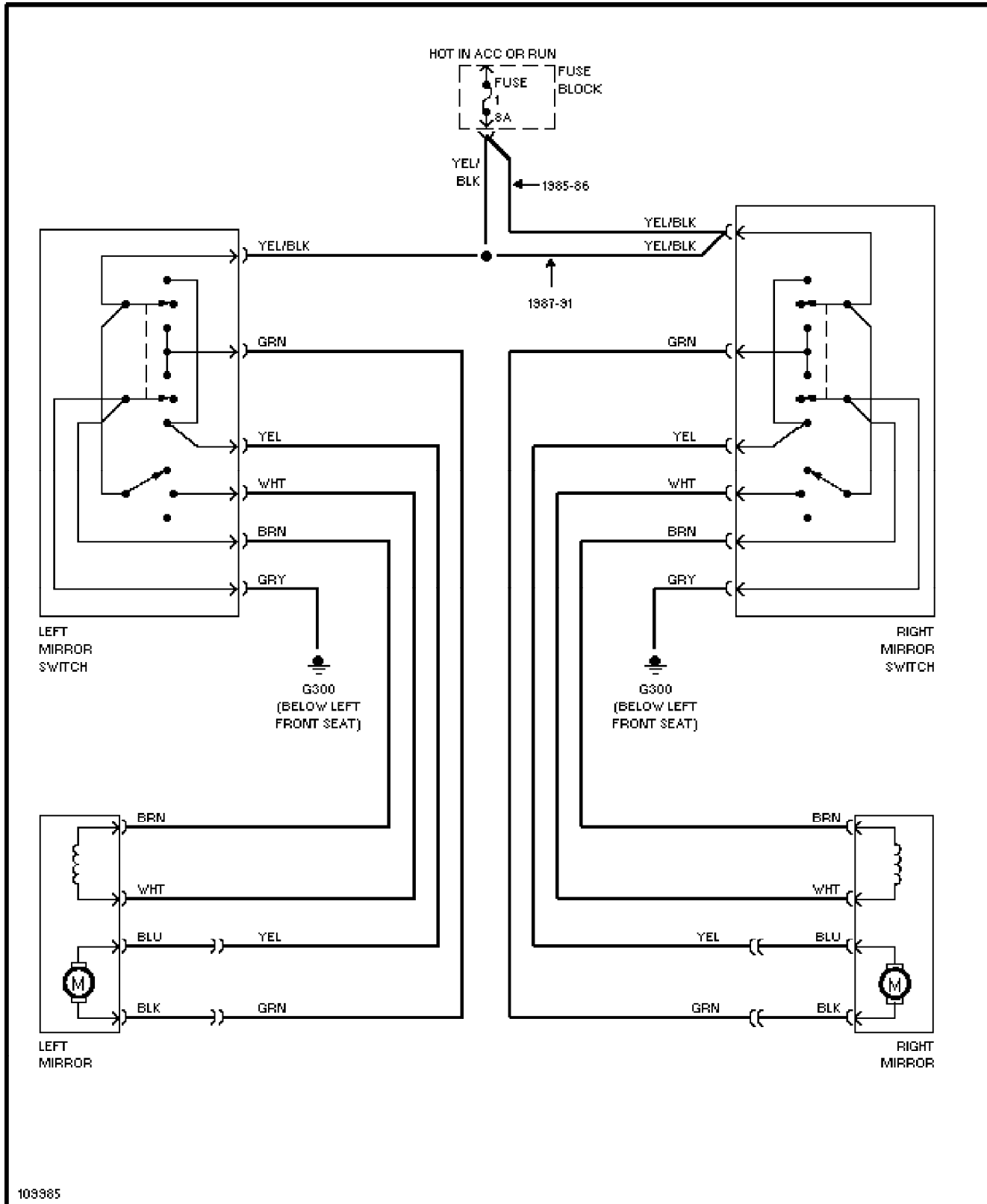
1986 Volvo 240DL/GL



SYSTEM WIRING DIAGRAMS

Power Mirror Circuit

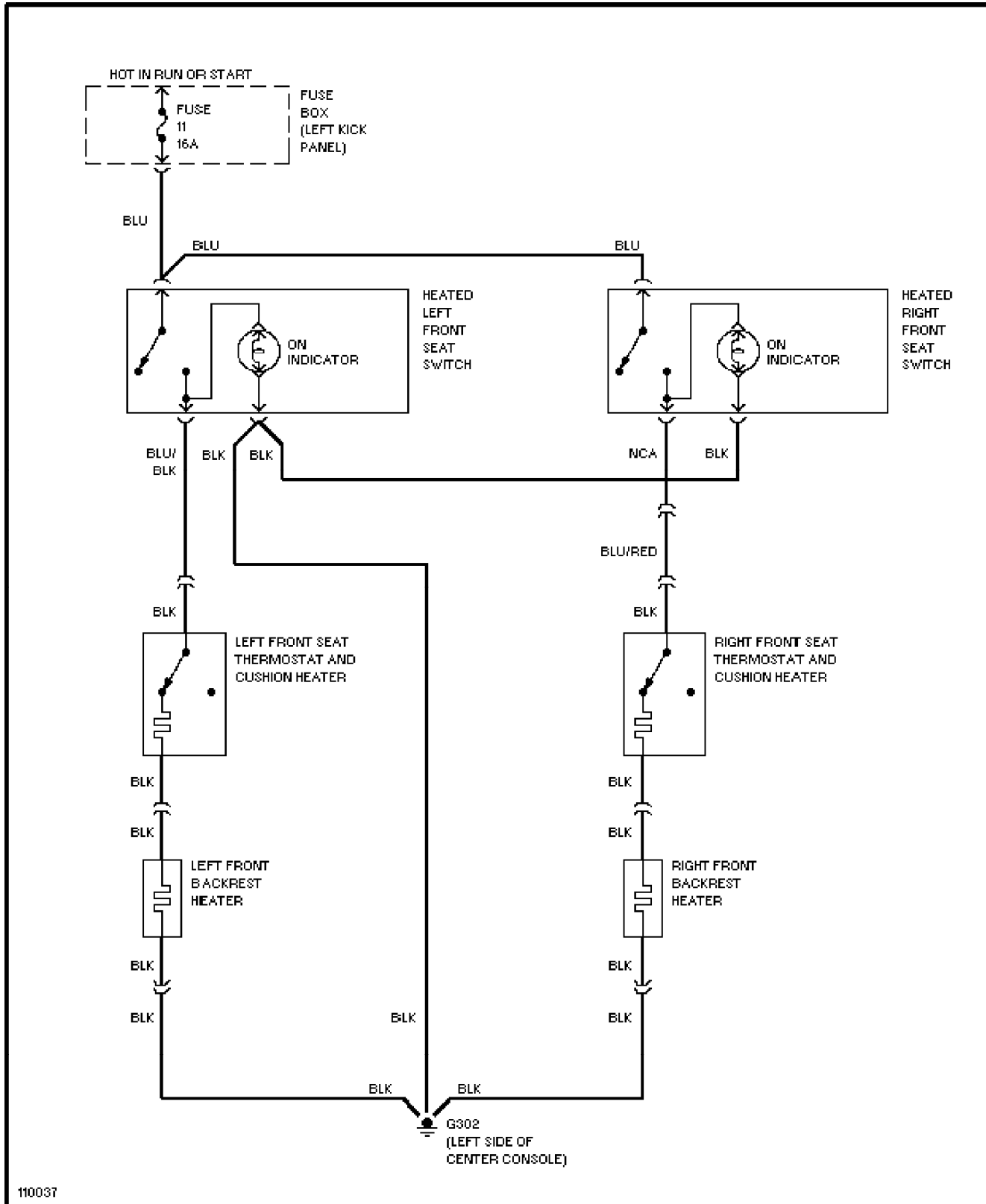
1986 Volvo 240DL/GL



SYSTEM WIRING DIAGRAMS

Heated Seats Circuit

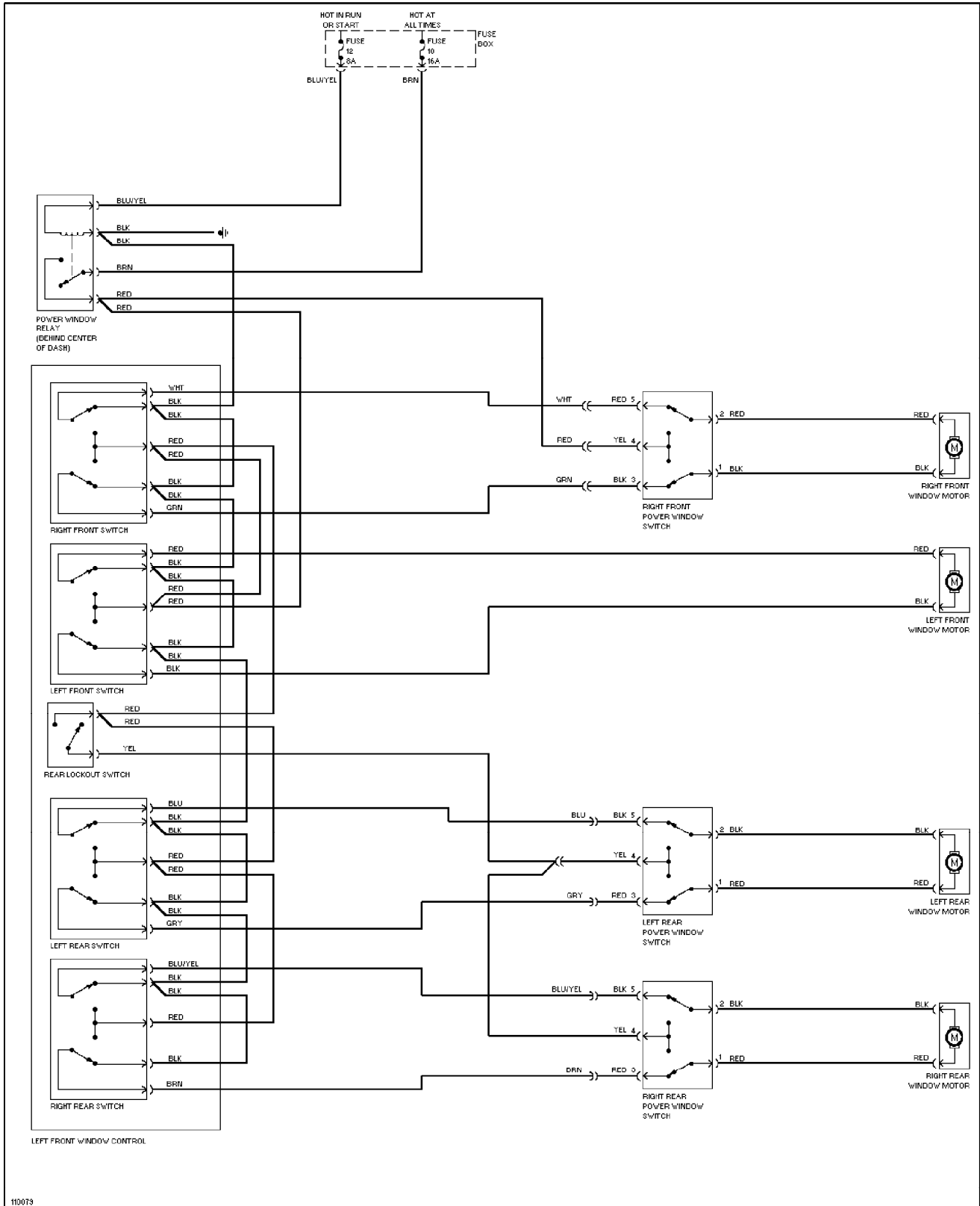
1986 Volvo 240DL/GL



SYSTEM WIRING DIAGRAMS

Power Window Circuit

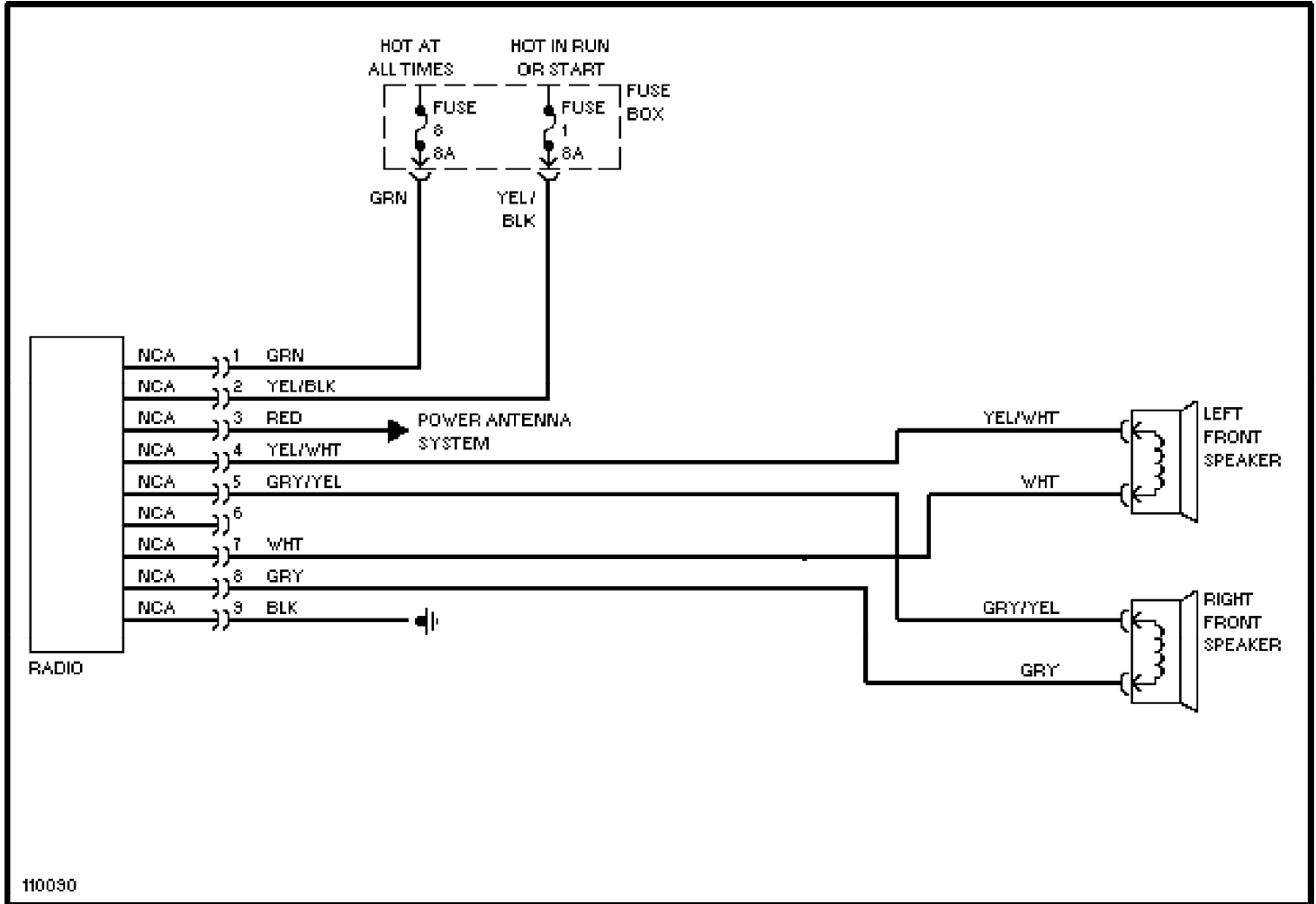
1986 Volvo 240DL/GL



SYSTEM WIRING DIAGRAMS

Radio Circuits

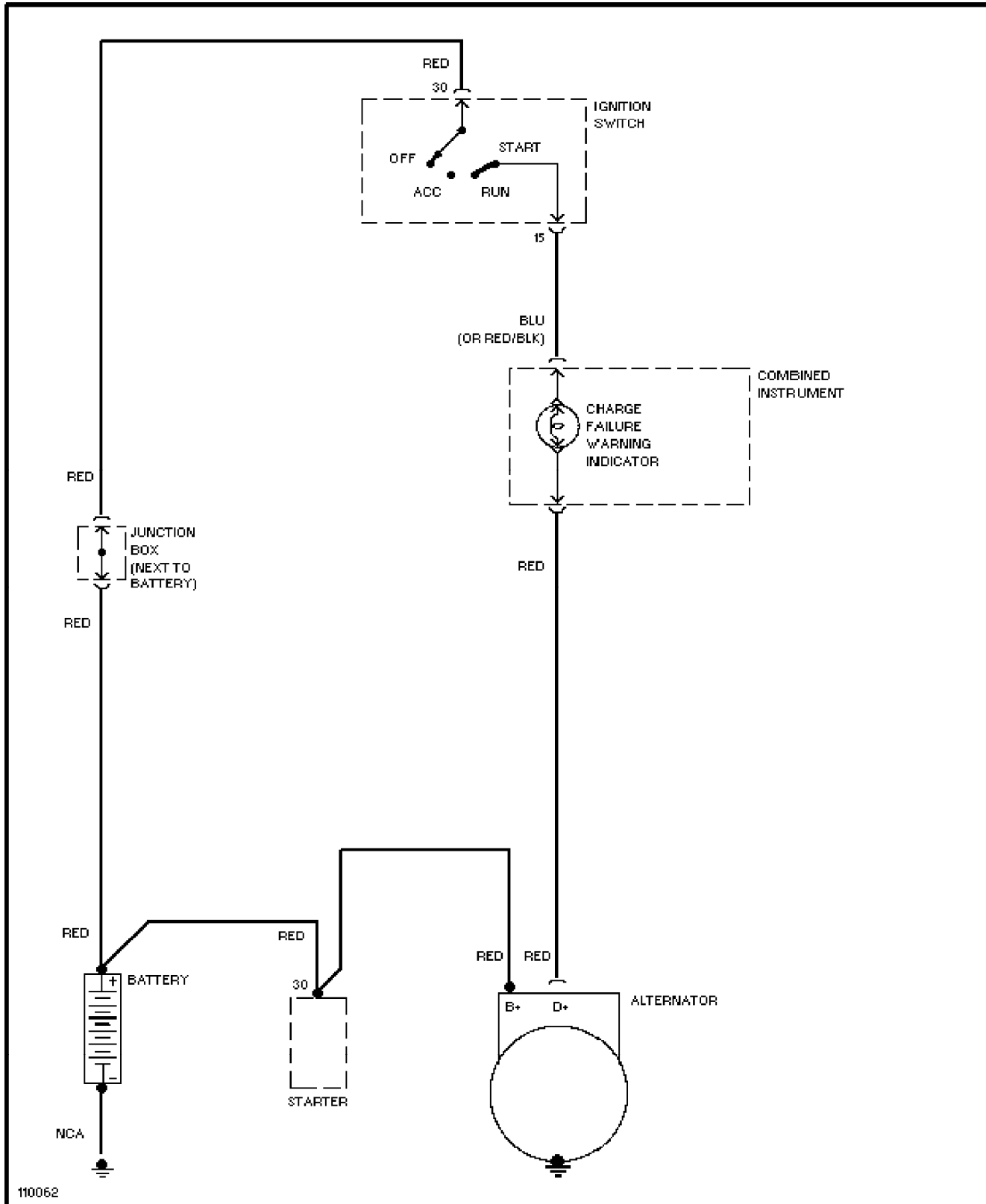
1986 Volvo 240DL/GL



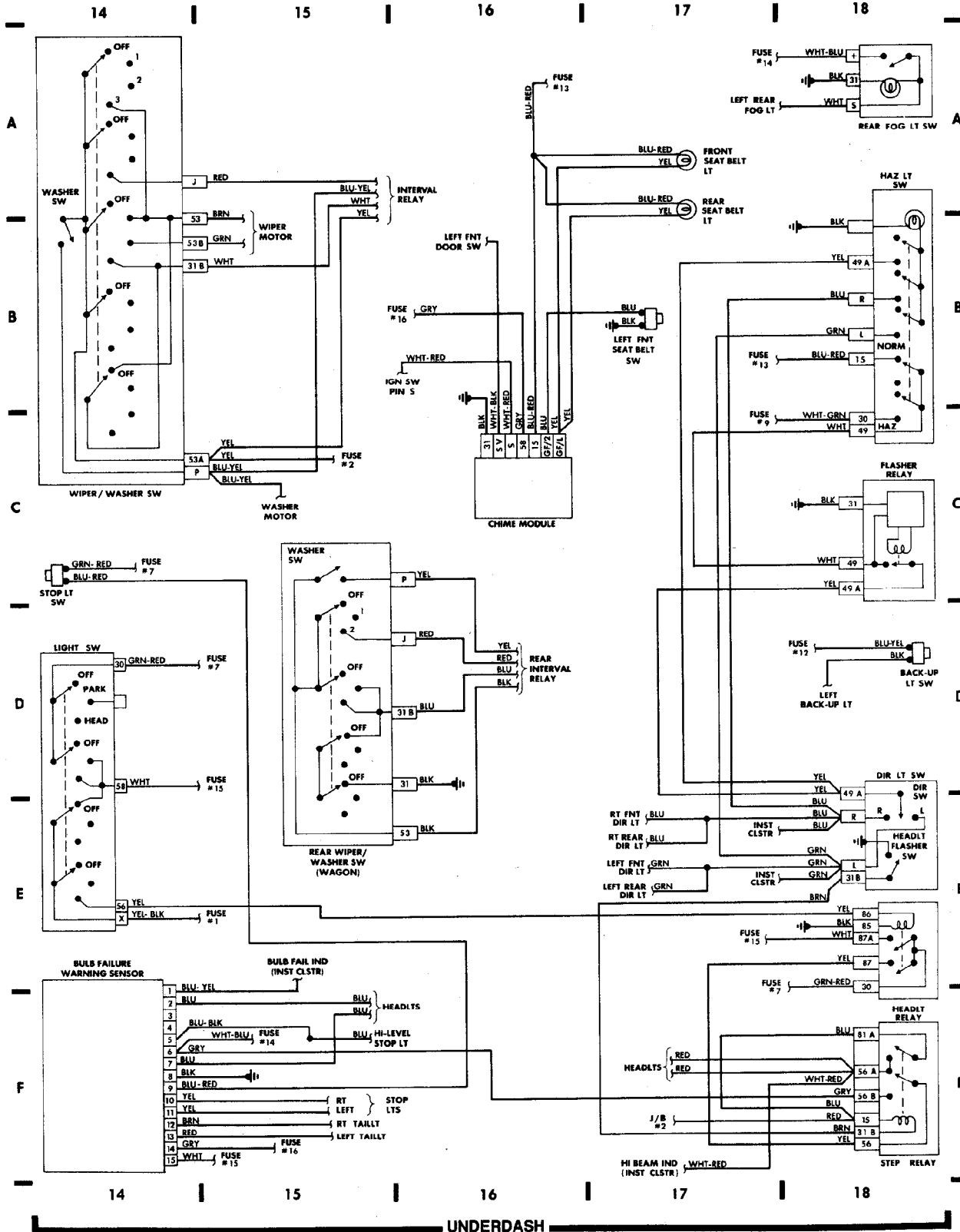
SYSTEM WIRING DIAGRAMS

Charging Circuit

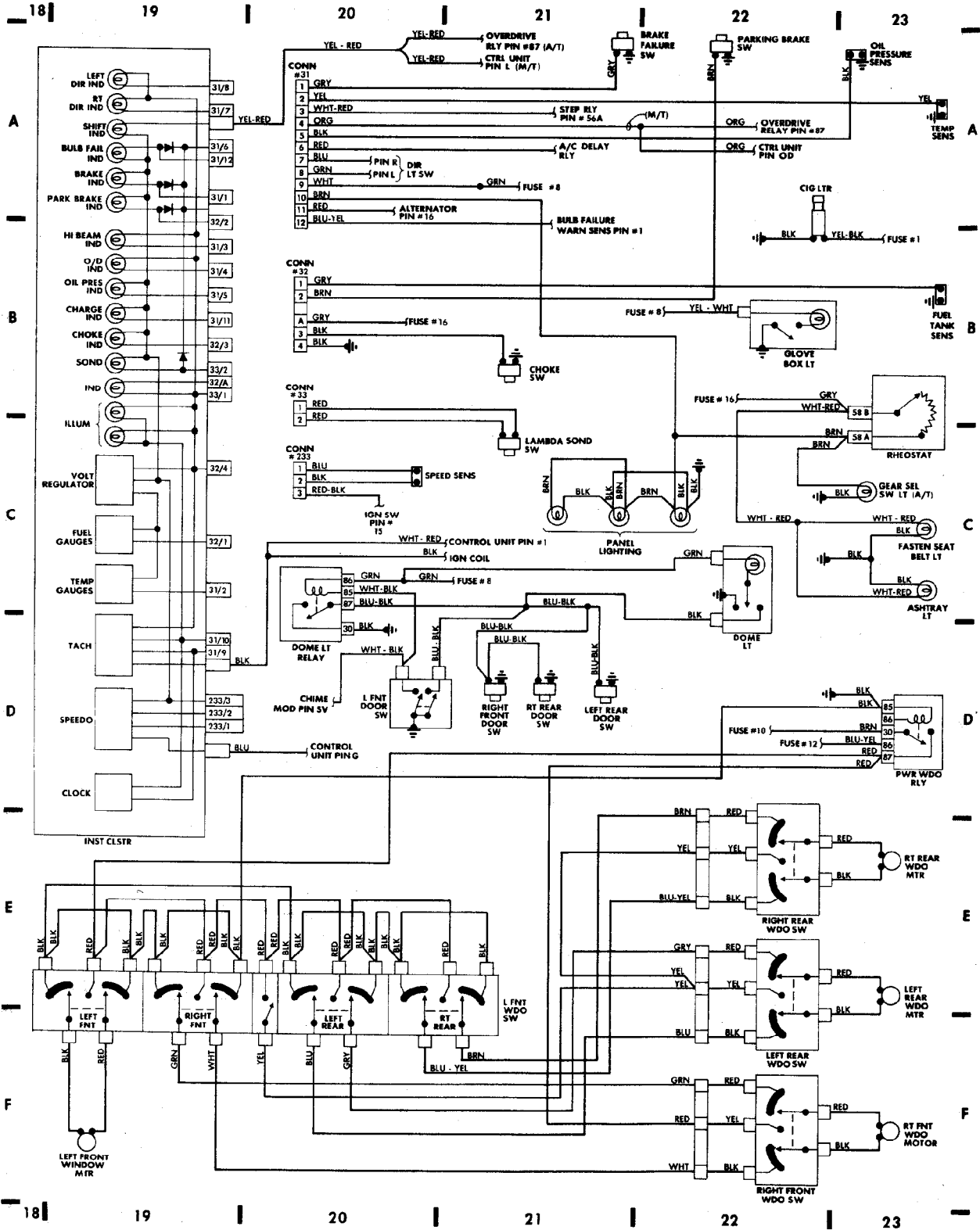
1986 Volvo 240DL/GL



WIRING DIAGRAMS
Fig. 4: Underdash (Grids 14-18)
 1986 Volvo 240DL/GL



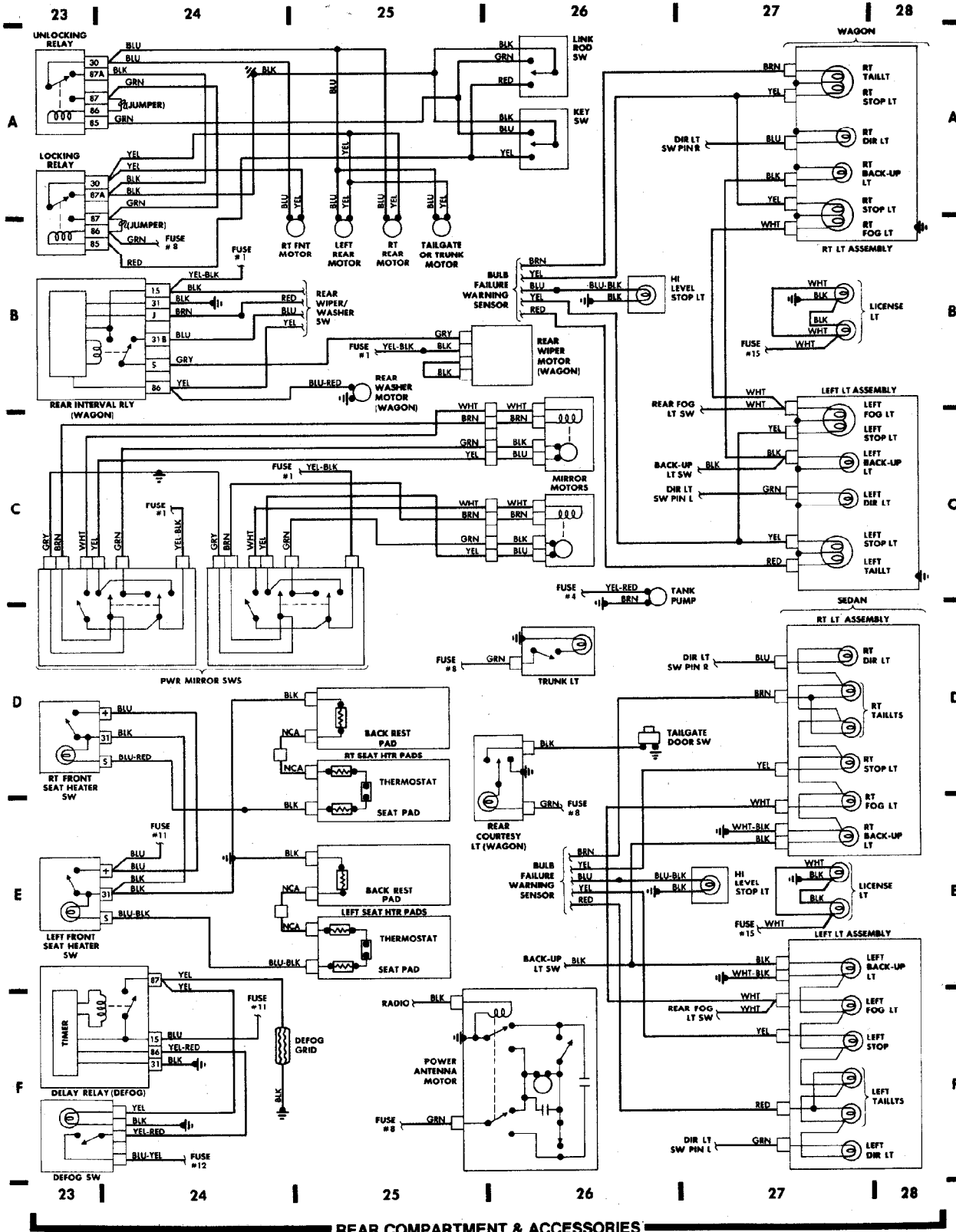
WIRING DIAGRAMS
Fig. 5: Instrument Panel (Grids 18-23)
 1986 Volvo 240DL/GL



WIRING DIAGRAMS

Fig. 6: Rear Compartment & Accessories (Grids 23-28)

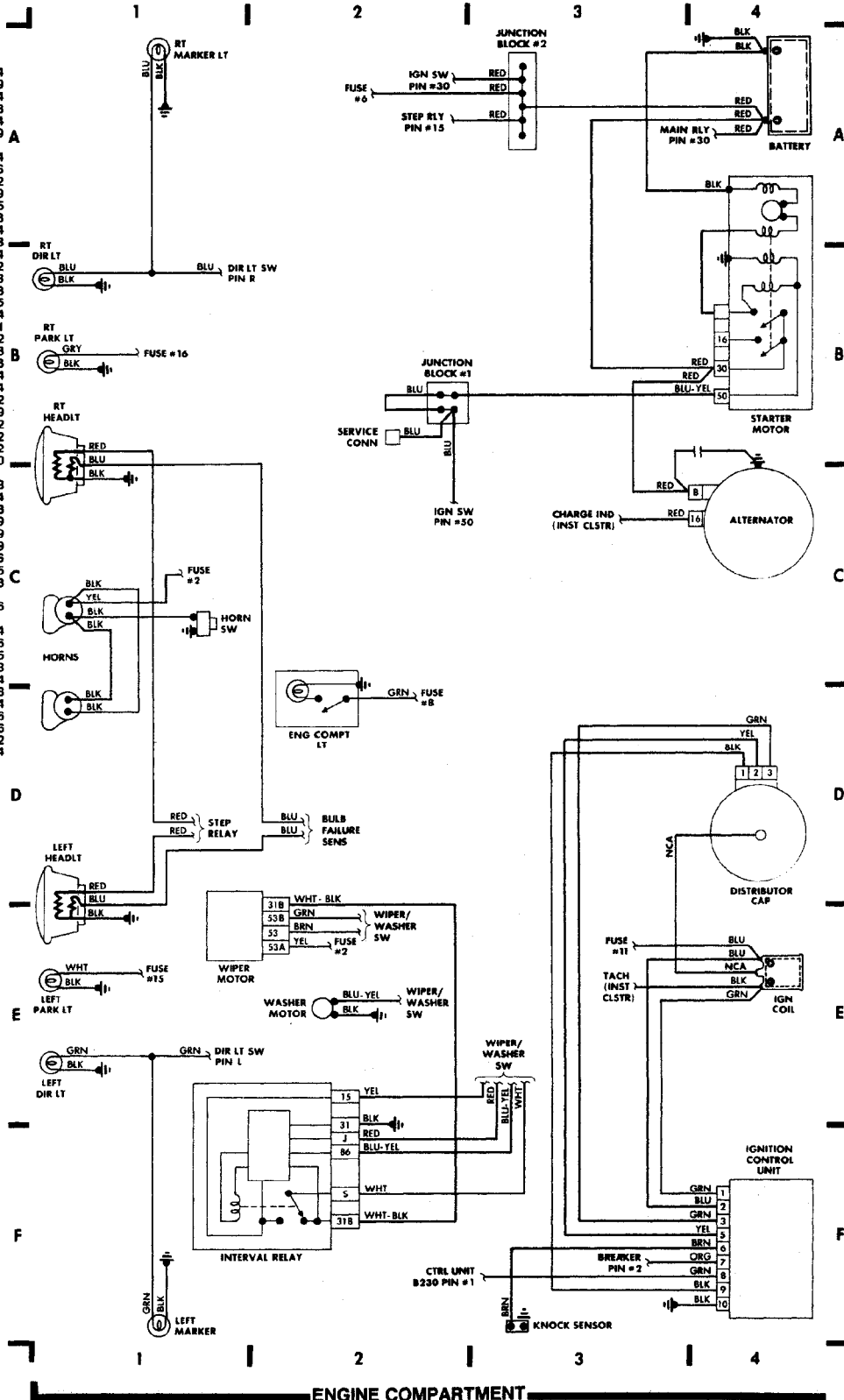
1986 Volvo 240DL/GL



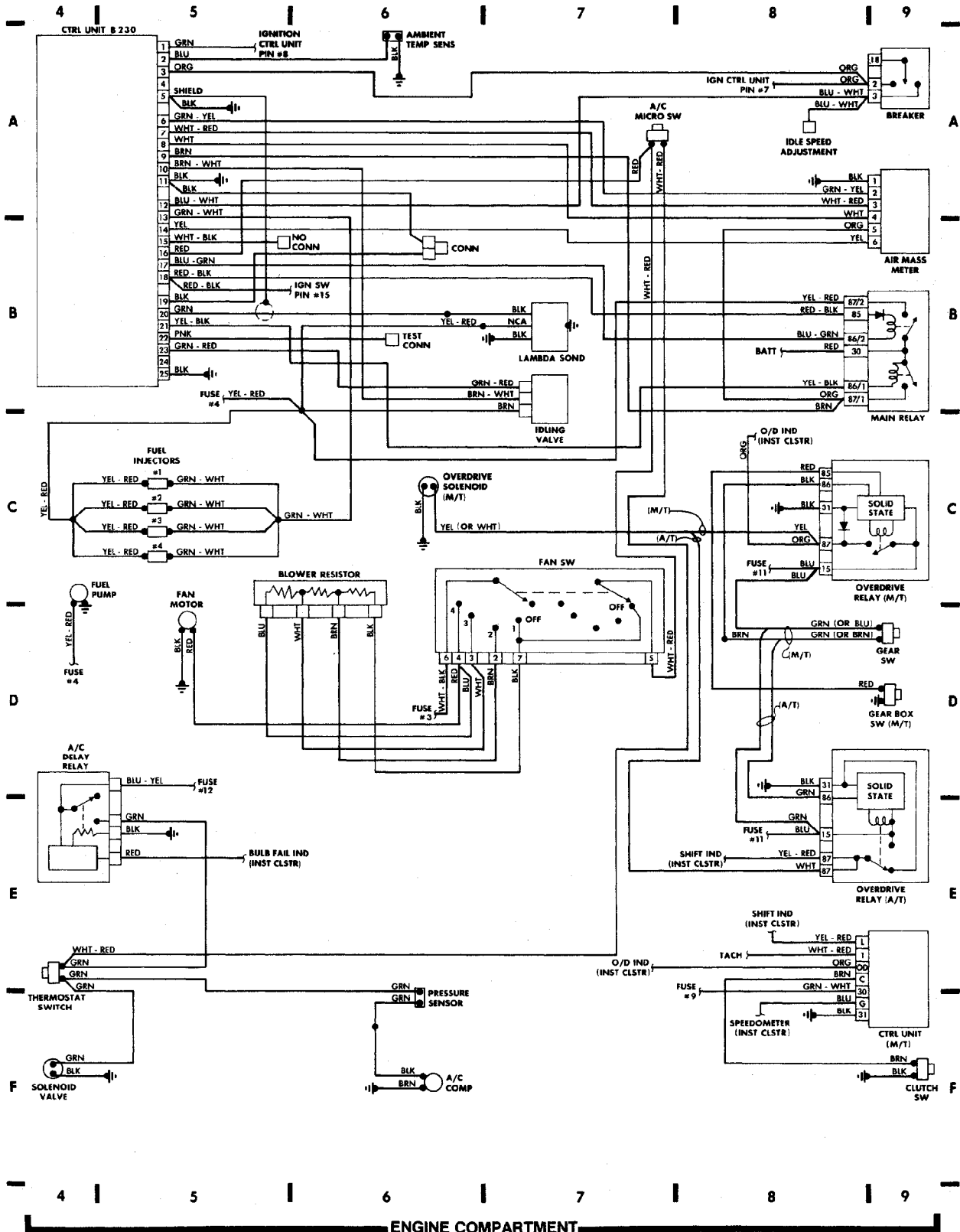
WIRING DIAGRAMS
Fig. 1: Engine Compartment (Grids 1-4)
 1986 Volvo 240DL/GL

COMPONENT LOCATOR:

A/C DELAY RELAY	D-E 4
AIR MASS METER	A-B 9
ALTERNATOR	C 4
BACK-UP LT SW	D 18
BATTERY	A 4
BREAKER	A-9
BULB FAILURE WARNING	A-9
SENSOR	E-F 14
CHIME MODULE	C 16
CIG LTR	A 22
CONTROL UNIT	F 9
CONTROL UNIT B230	A-B 4-5
DEFOG SW	F 23
DELAY RELAY (DEFOG)	F 23-24
DIR LT SW	E 18
DISTRIBUTOR	D 4
ENGINE COMPT LT	D 2
FLASHER RELAY	C 18
FOG LT SW	A 18
FUEL INJECTOR	C 4-5
FUEL PUMP	C 4
FUSE BLOCK	C-D 11
GLOVE BOX LT	B 22
HAZARD LT SW	A-C 18
HEADLT RELAY	E 18
IGNITION COIL	E 4
IGNITION CONTROL UNIT	F 4
IGNITION SW	A 10-12
INSTRUMENT CLUSTER	A-D 18-19
INTERVAL RELAY	F 1-2
JUNCTION BLOCK #1	B 2
JUNCTION BLOCK #2	A 2
LEFT FNT DOOR SW	D 20
LEFT FNT SEAT HEATER	E 23
SWITCH	D-E 14
LOCKING RELAY	A 23
MAIN RELAY	B 9
OVERDRIVE RLY (A/T)	D-E 8-9
OVERDRIVE RLY (M/T)	C 8-9
POWER ANTENNA MOTOR	F 26
POWER MIRROR SWS	C-D 23-25
POWER WDO RLY	D 23
REAR COURTESY LT	D 26
REAR INTERVAL RELAY	B 23-24
REAR WIPER MOTOR	B 26
REAR WIPER/WASHER SW	C-E 15
RHEOSTAT	B-C 23
STARTER MOTOR	A-B 4
STEP RELAY	F 18
STOP LIGHT SW	C 14
TANK PUMP	C 26
TRUNK LT	D 26
WIPER MOTOR	E 2
WIPER/WASHER SW	A-C 14



WIRING DIAGRAMS
Fig. 2: Engine Compartment (Cont.) (Grids 4-9)
 1986 Volvo 240DL/GL



WIRING DIAGRAMS

Fig. 3: Fuse Block (Grids 9-14)

1986 Volvo 240DL/GL

