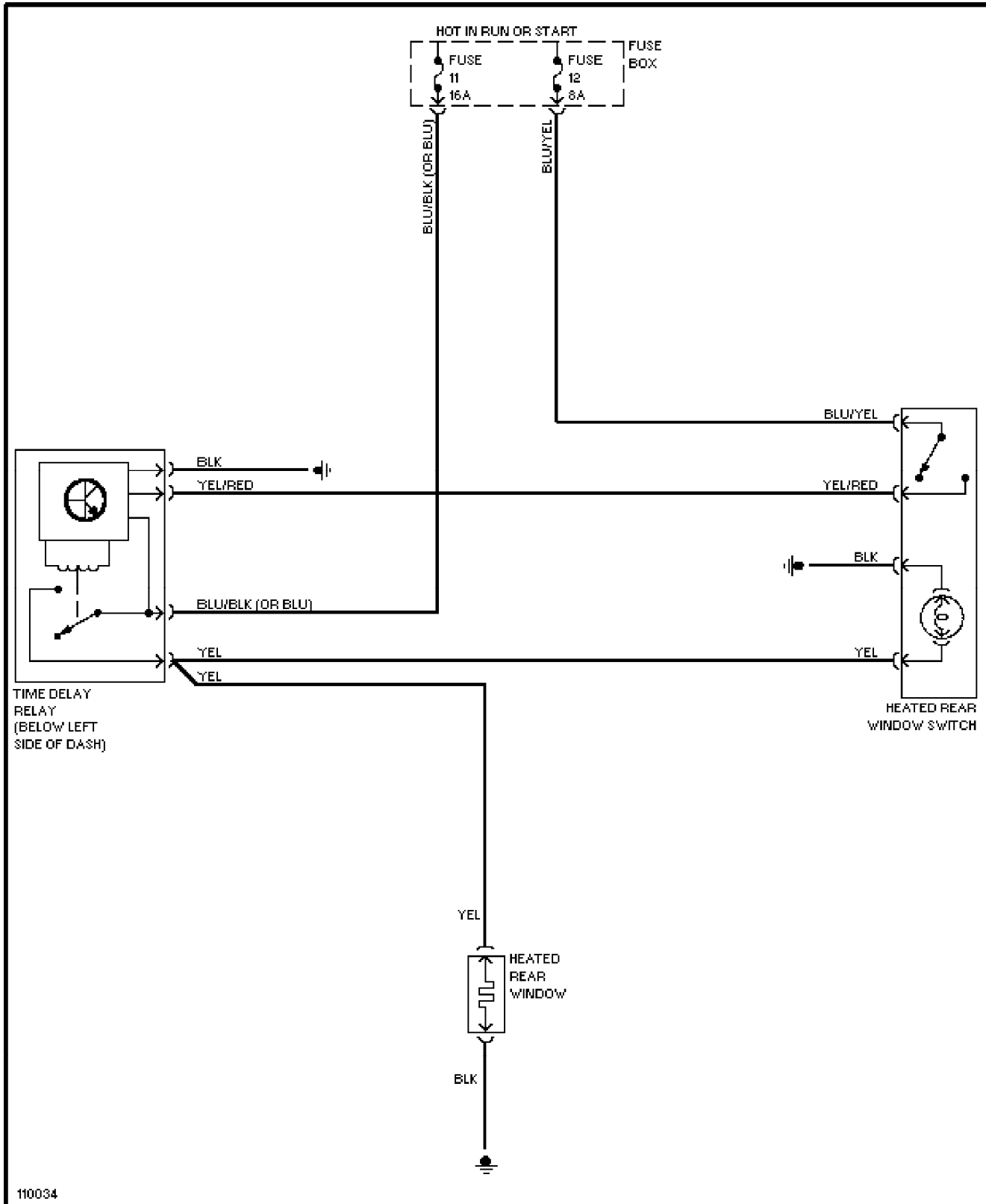


# SYSTEM WIRING DIAGRAMS

## Rear Defogger Circuit

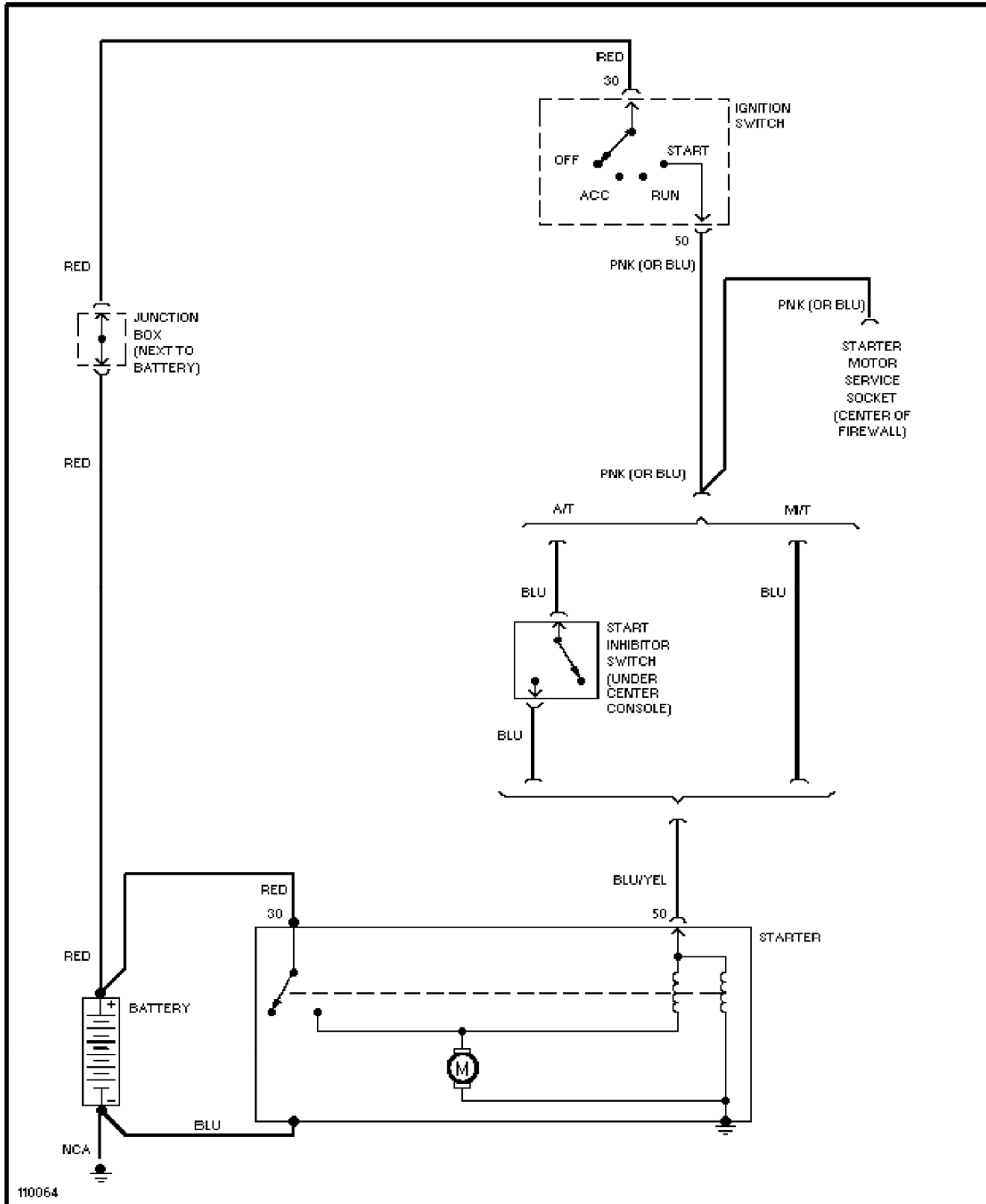
1989 Volvo 240



# SYSTEM WIRING DIAGRAMS

## Starting Circuit

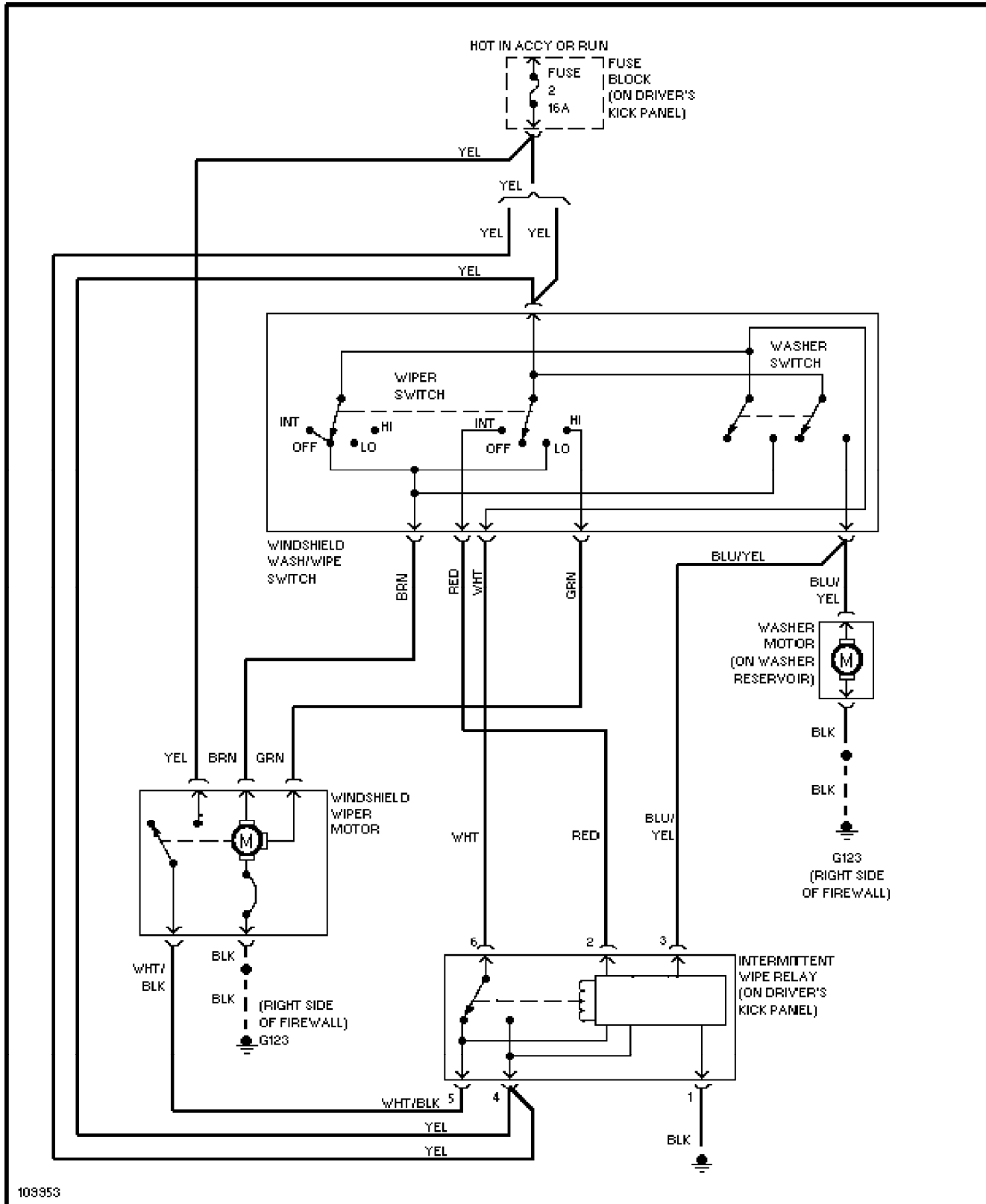
1989 Volvo 240



# SYSTEM WIRING DIAGRAMS

## Front Washer/Wiper Circuit

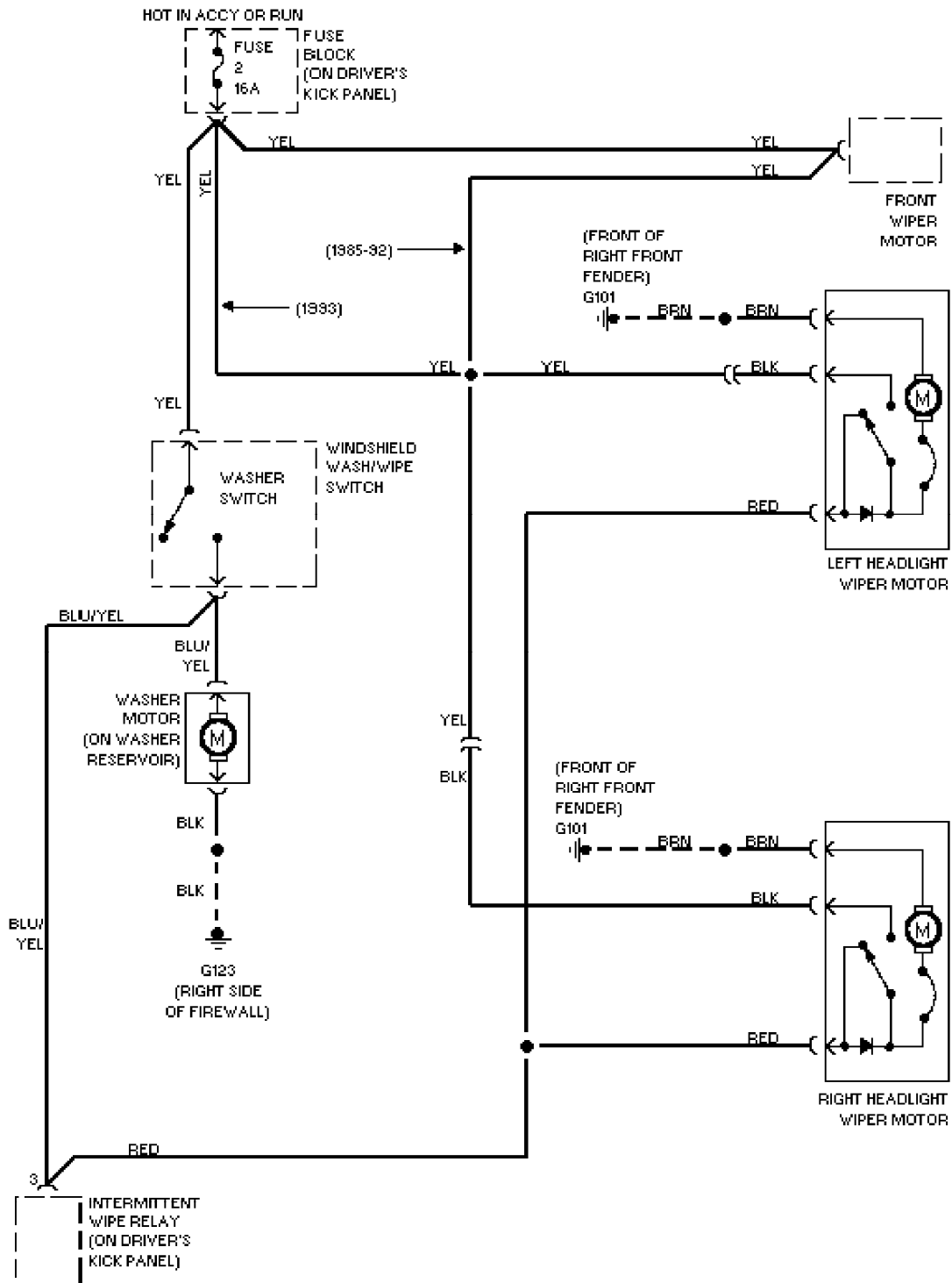
1989 Volvo 240



# SYSTEM WIRING DIAGRAMS

## Headlight Washer/Wiper Circuit

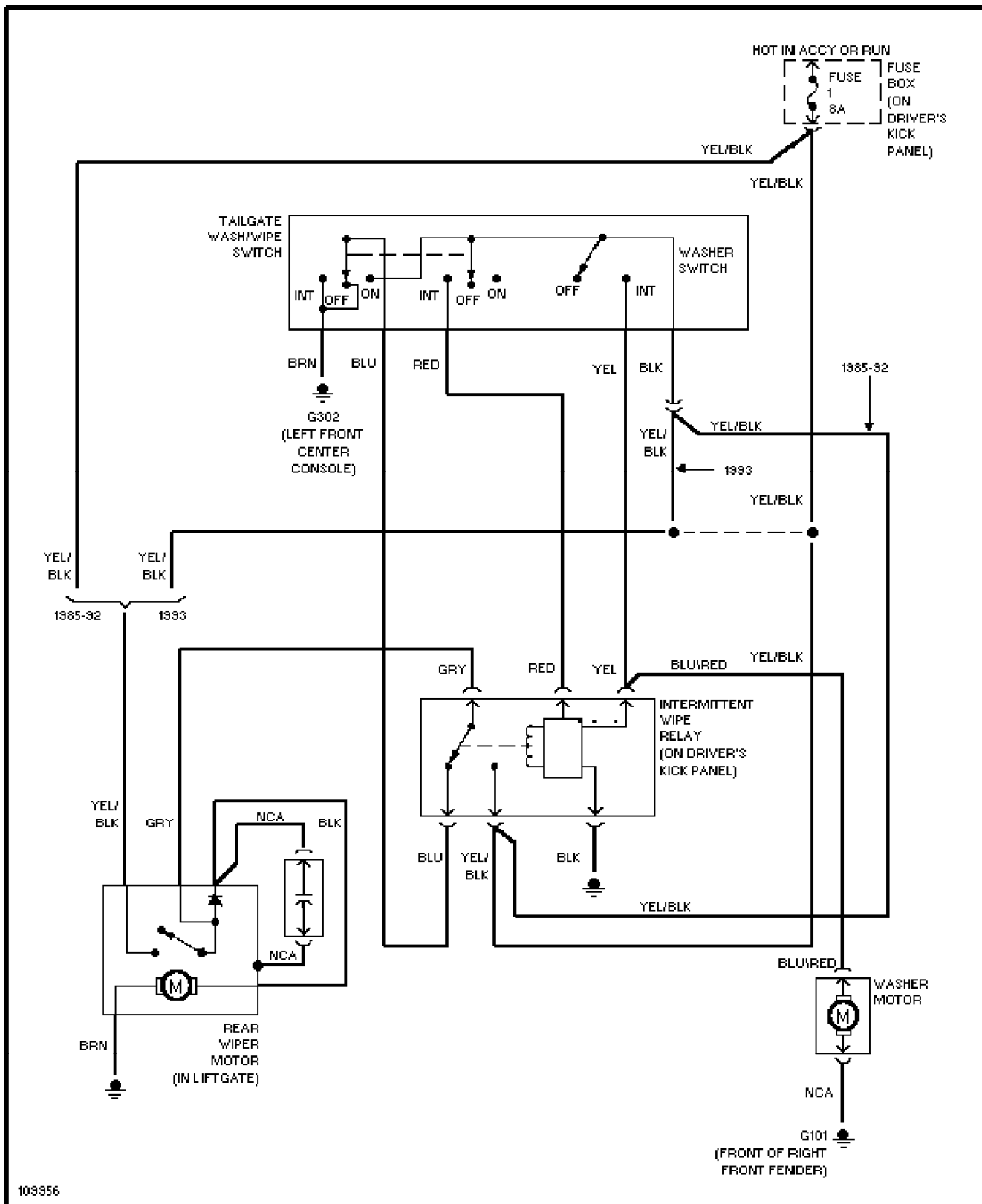
1989 Volvo 240



# SYSTEM WIRING DIAGRAMS

## Rear Washer/Wiper W/ Intermittent Relay Circuit

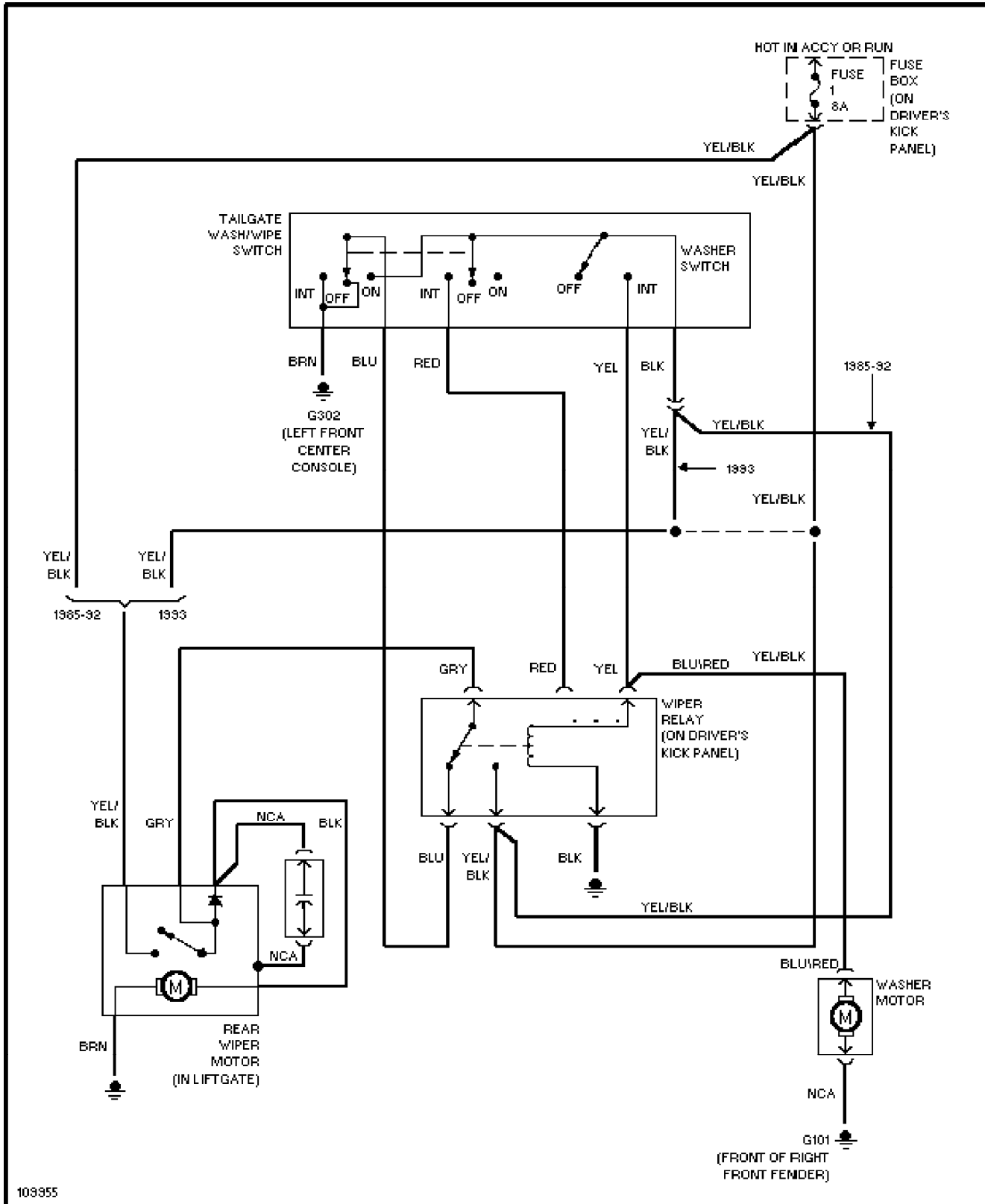
### 1989 Volvo 240



# SYSTEM WIRING DIAGRAMS

## Rear Washer/Wiper W/O Intermittent Relay Circuit

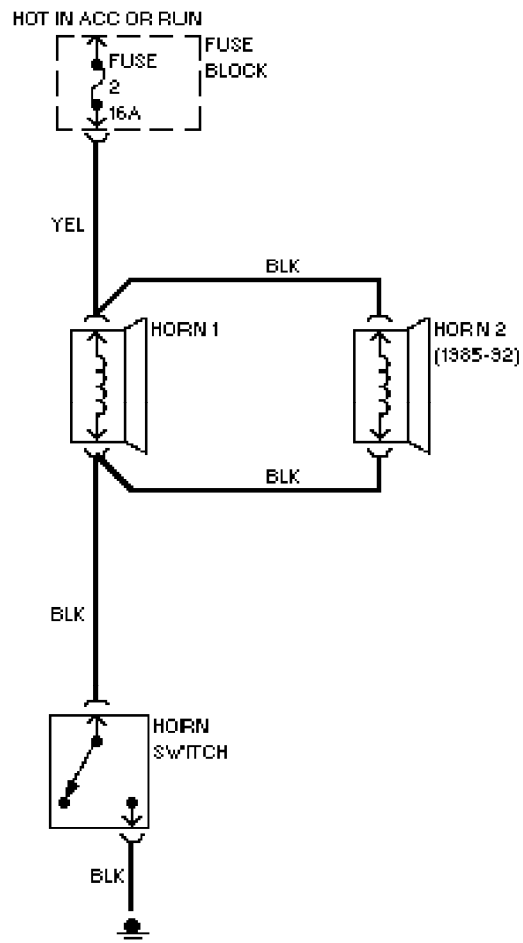
### 1989 Volvo 240



# SYSTEM WIRING DIAGRAMS

## Horn Circuit

1989 Volvo 240

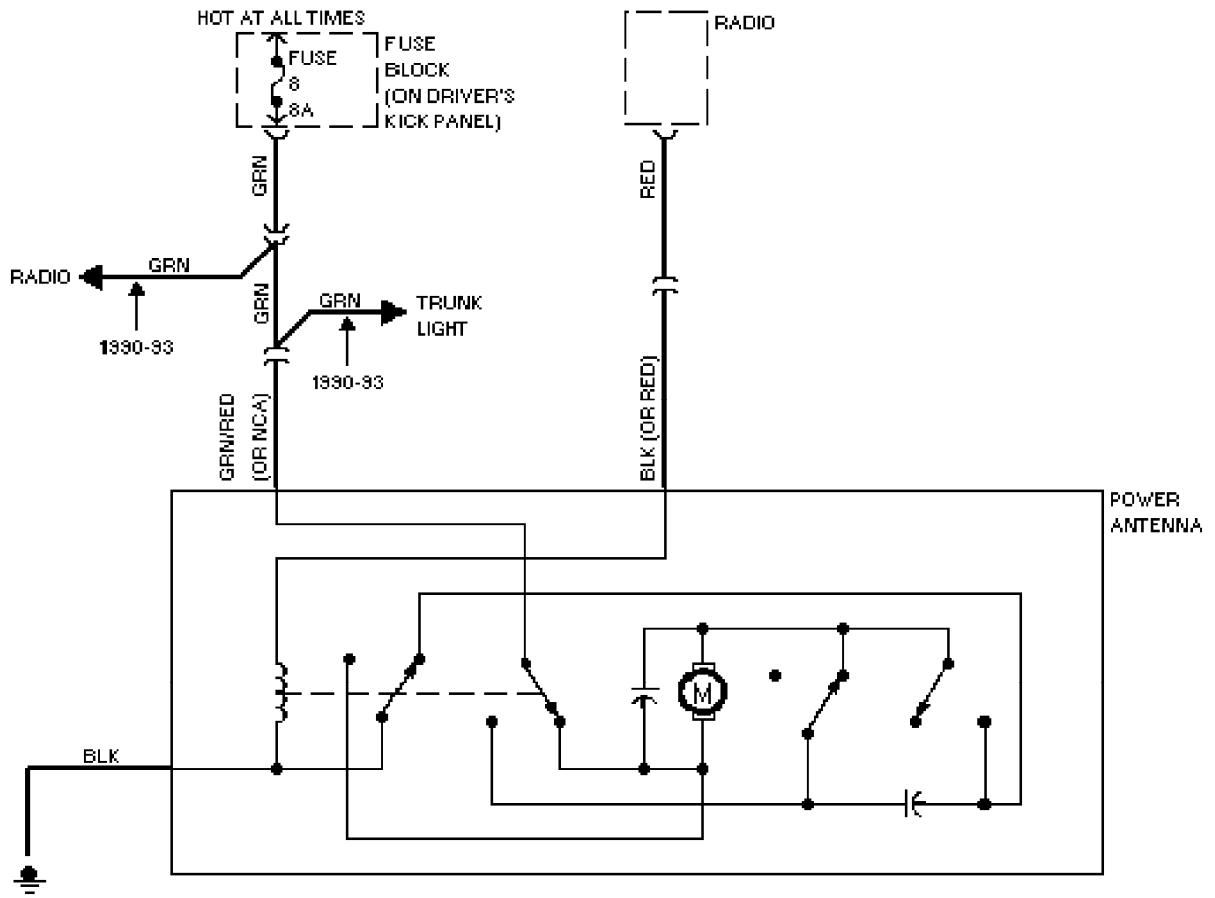


103960

# SYSTEM WIRING DIAGRAMS

## Power Antenna Circuit

1989 Volvo 240

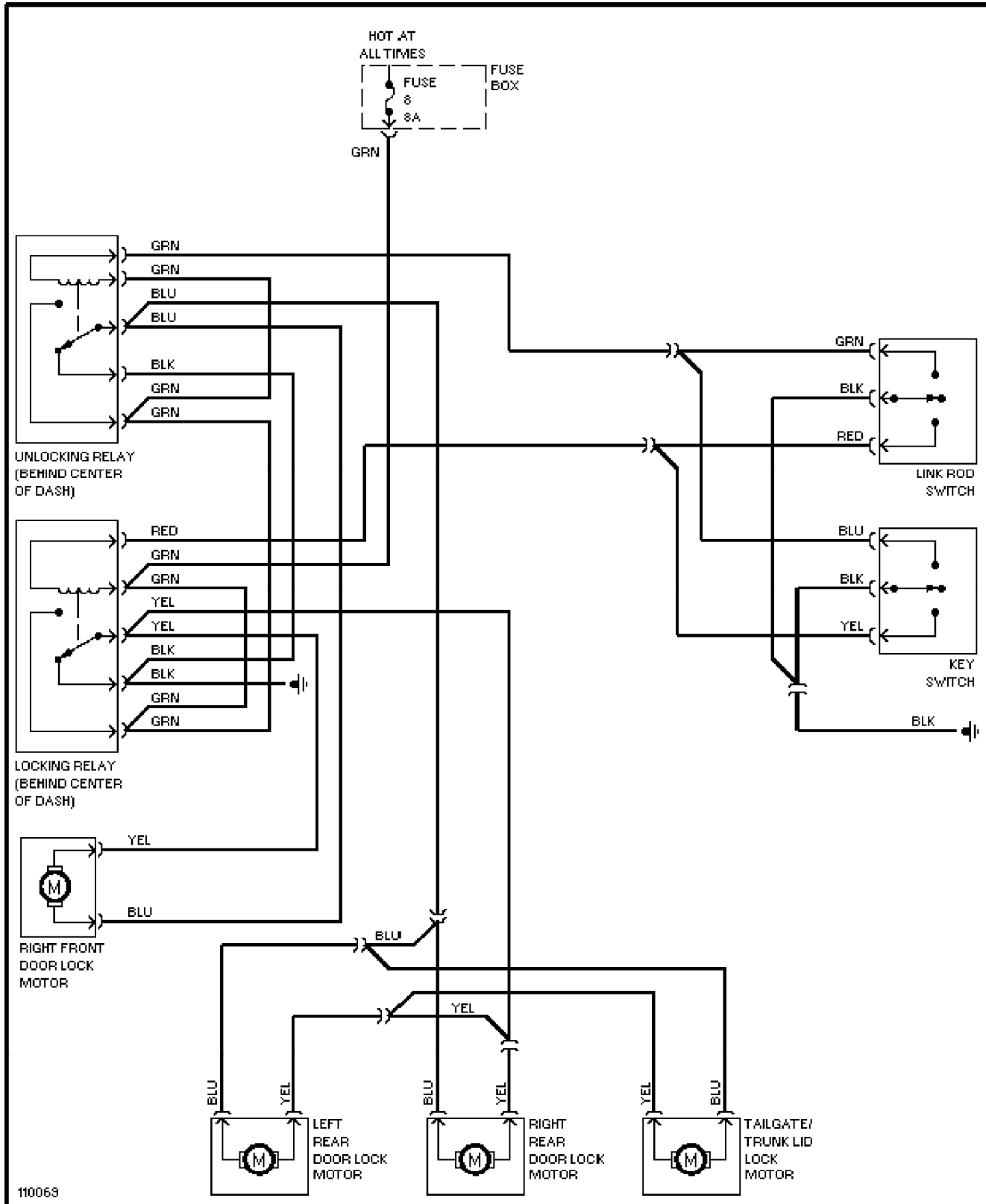




# SYSTEM WIRING DIAGRAMS

## Power Door Lock Circuit

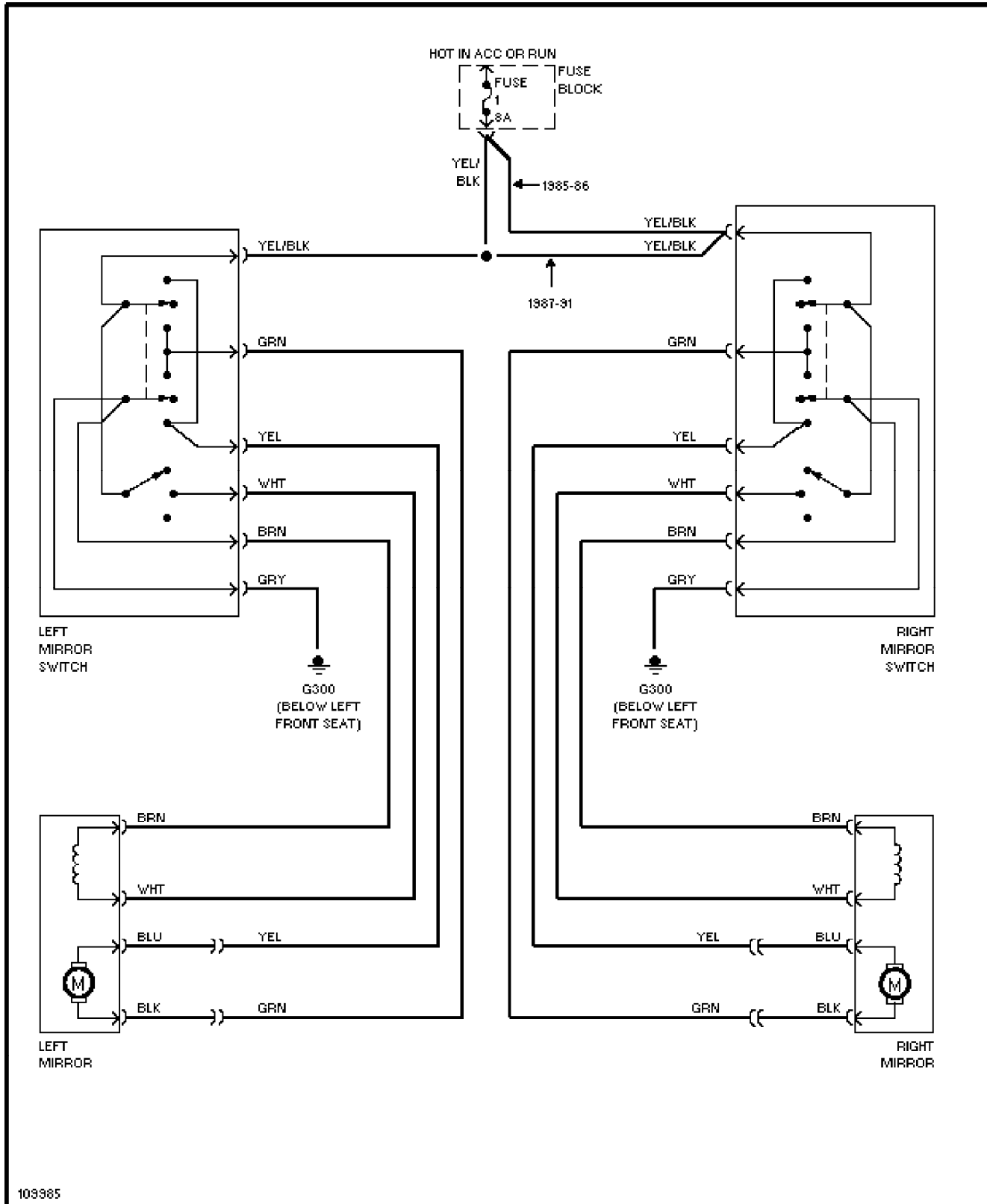
1989 Volvo 240



# SYSTEM WIRING DIAGRAMS

## Power Mirror Circuit

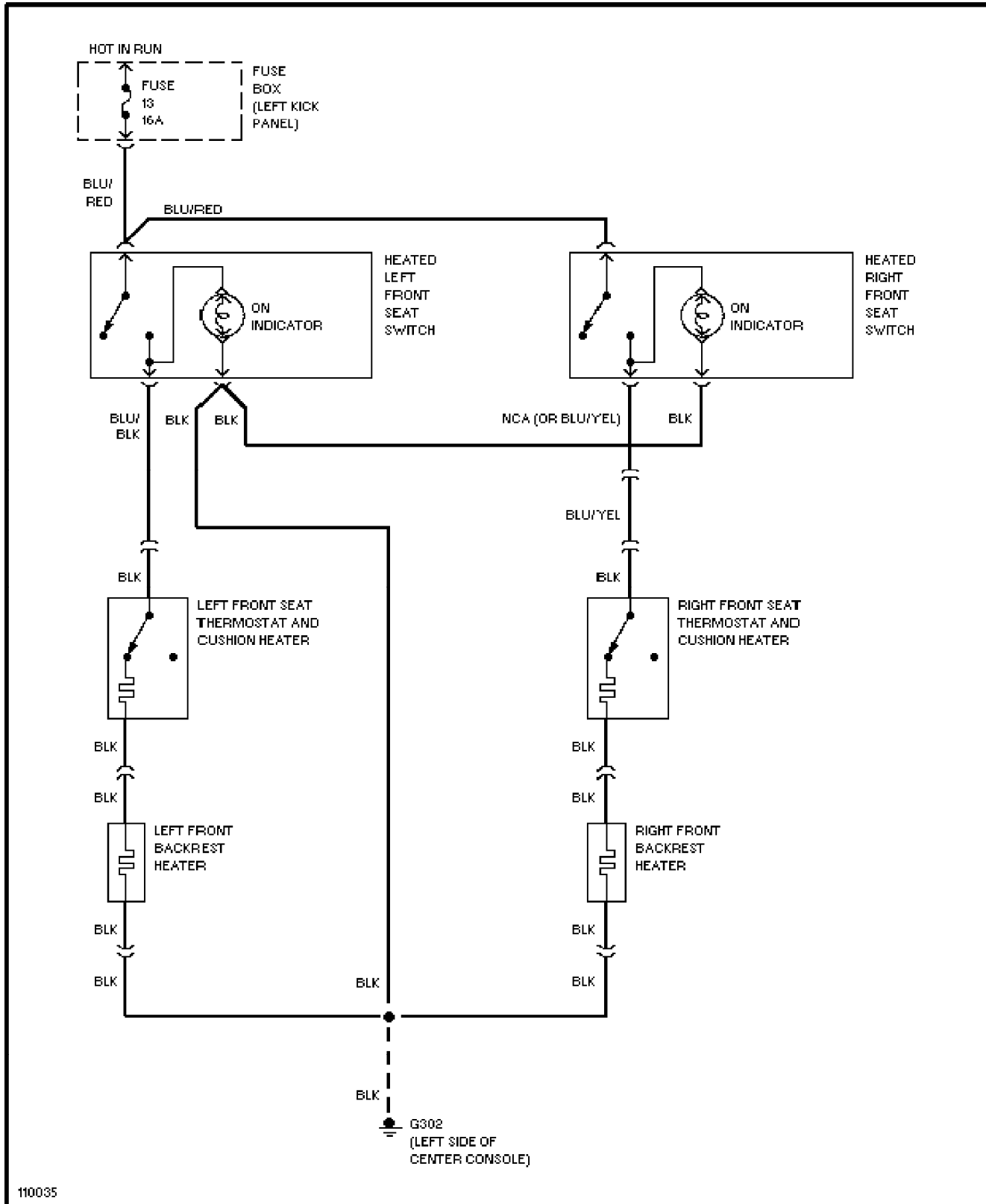
1989 Volvo 240



# SYSTEM WIRING DIAGRAMS

## Heated Seats Circuit

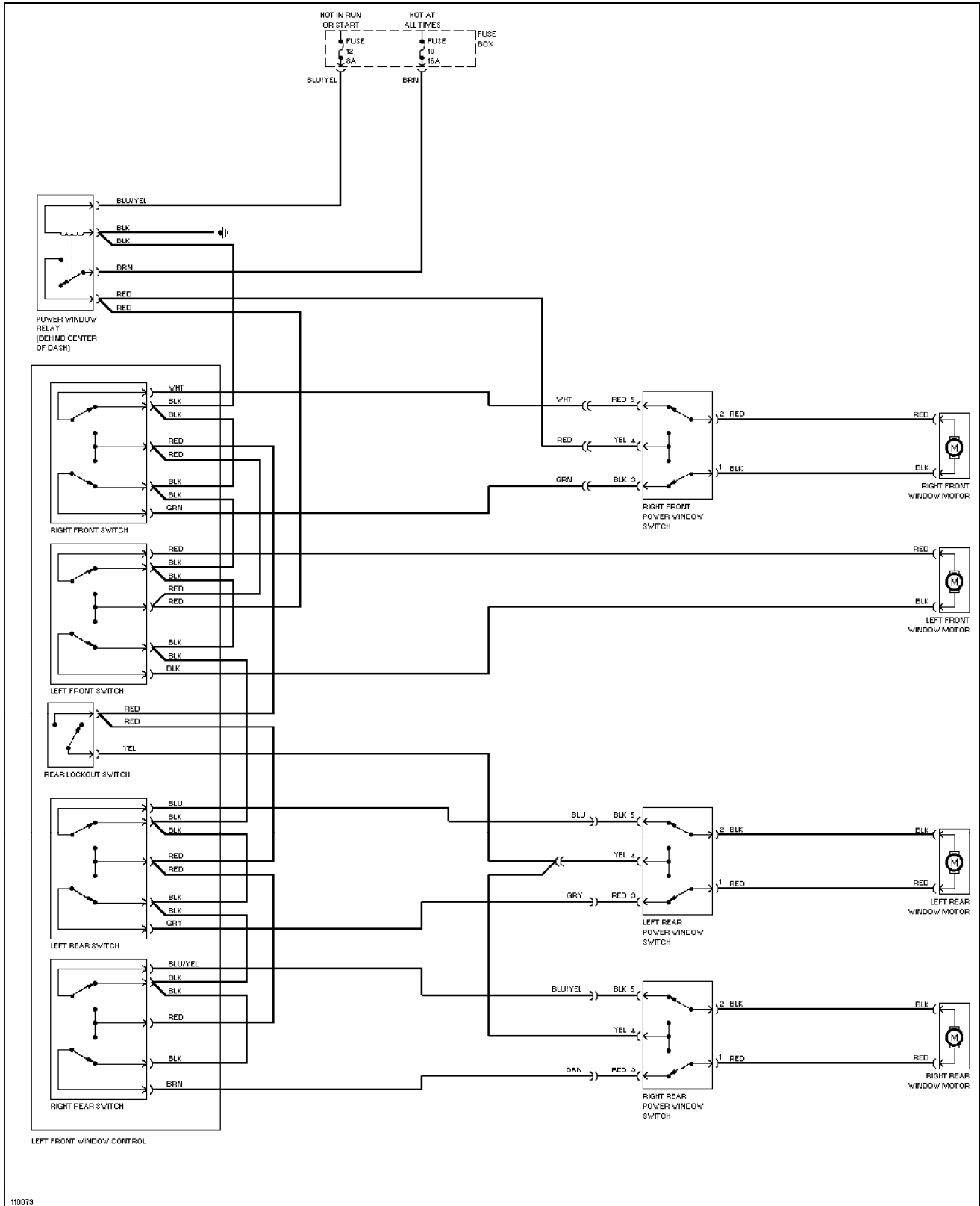
1989 Volvo 240



# SYSTEM WIRING DIAGRAMS

## Power Window Circuit

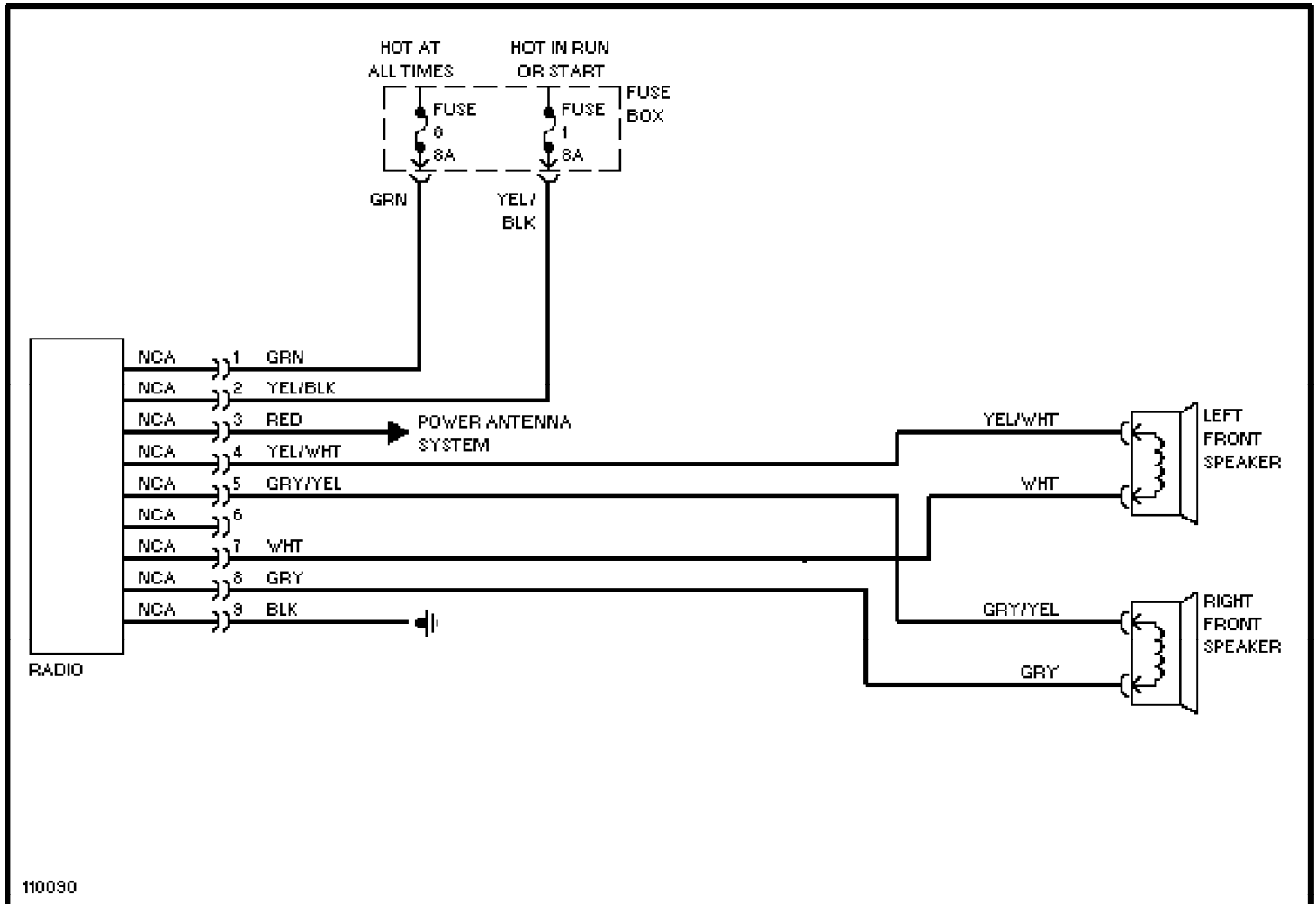
### 1989 Volvo 240



# SYSTEM WIRING DIAGRAMS

## Radio Circuits

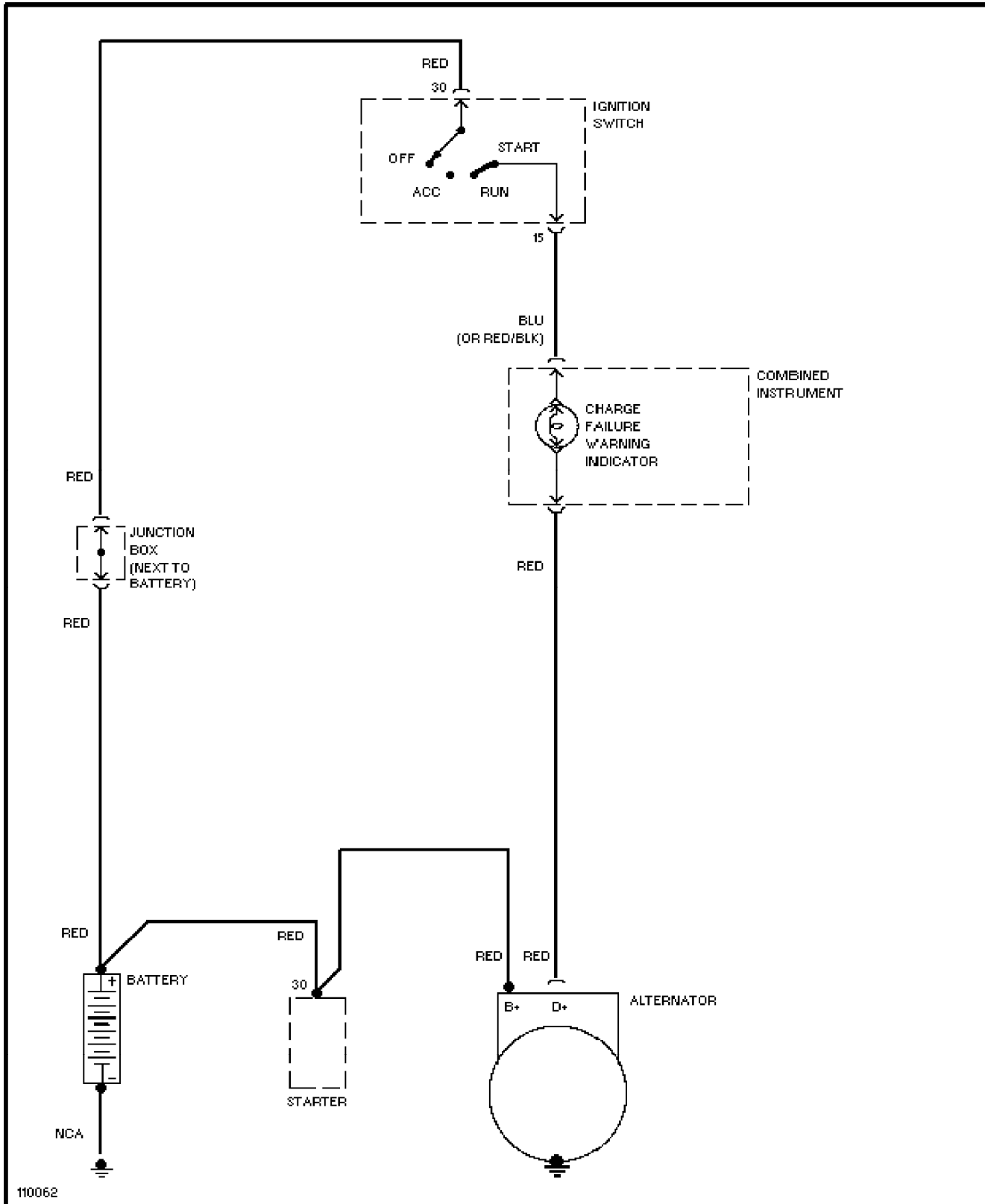
1989 Volvo 240



# SYSTEM WIRING DIAGRAMS

## Charging Circuit

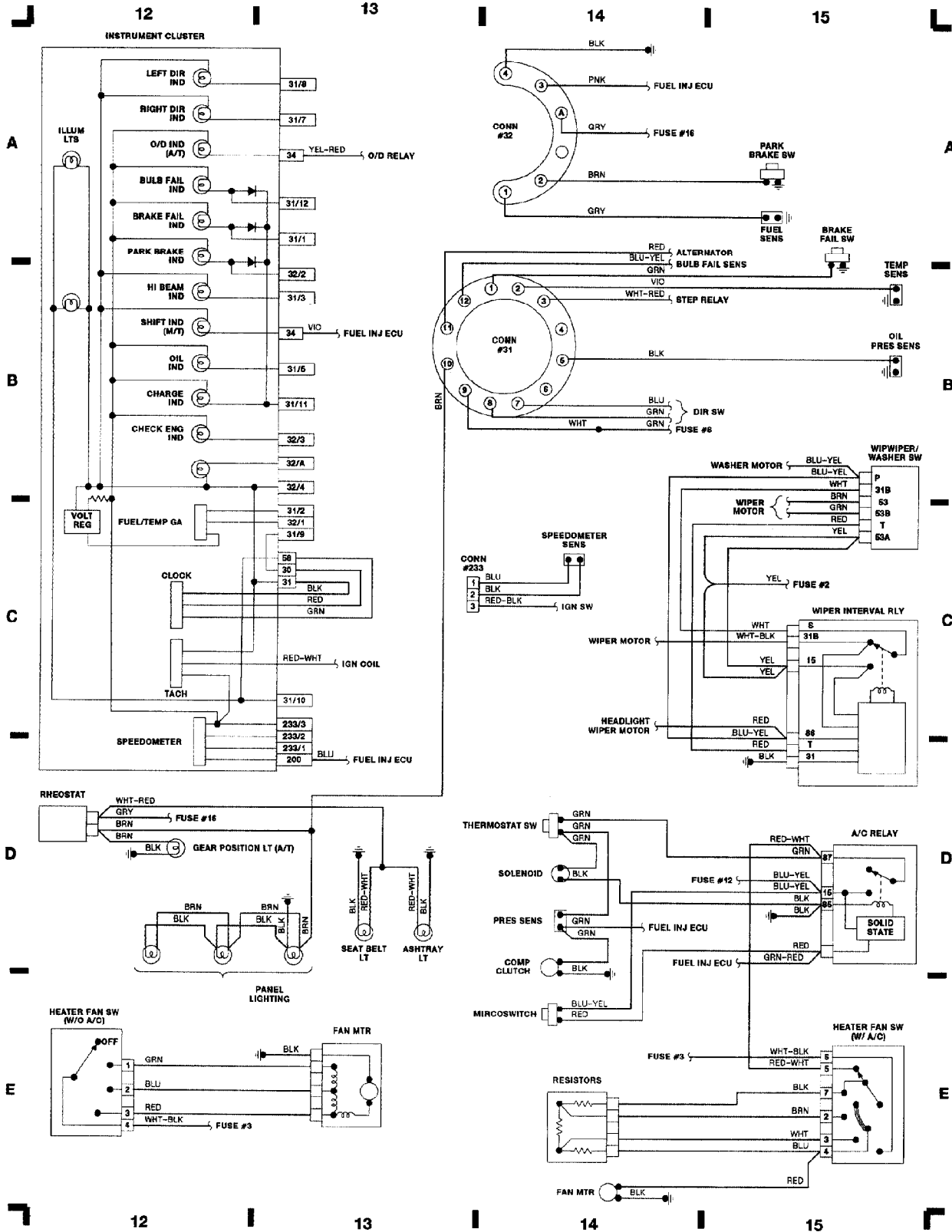
1989 Volvo 240



# WIRING DIAGRAMS

## Fig. 4: Instrument Panel, A/C & Heating

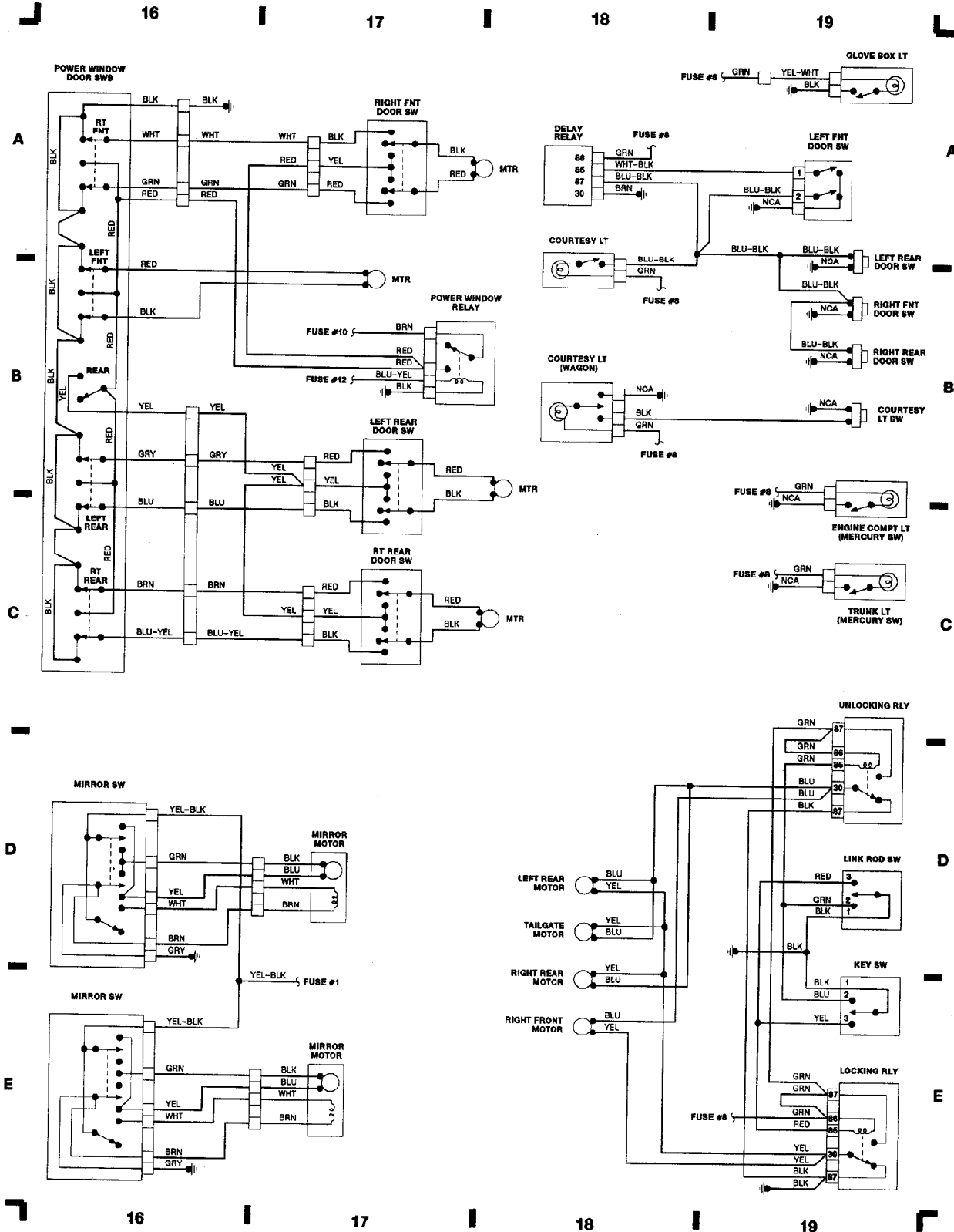
### 1989 Volvo 240



# WIRING DIAGRAMS

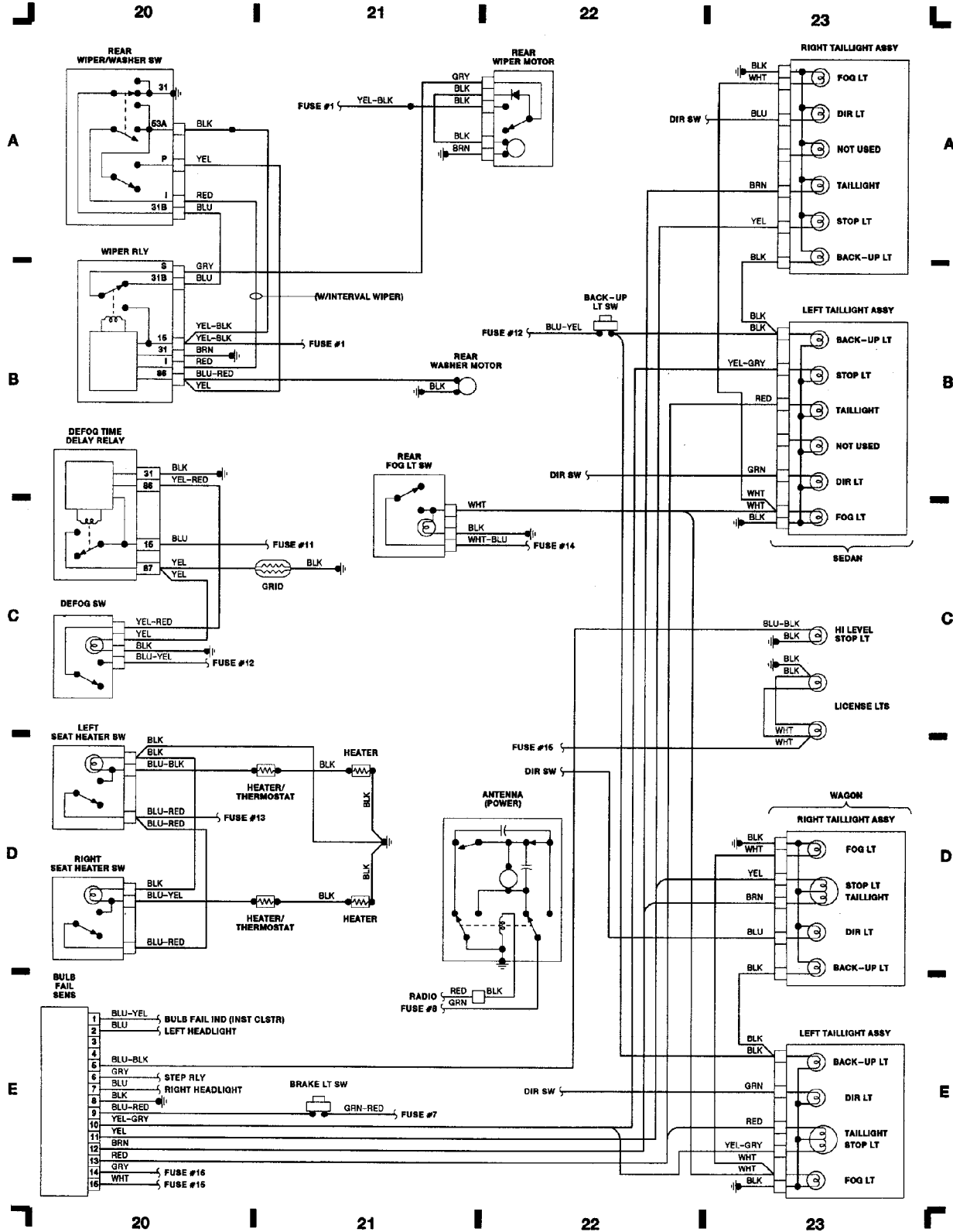
## Fig. 5: Power Doors, Power Mirrors & Power Windows

1989 Volvo 240





**WIRING DIAGRAMS**  
**Fig. 6: Passenger Compartment & Taillights**  
 1989 Volvo 240



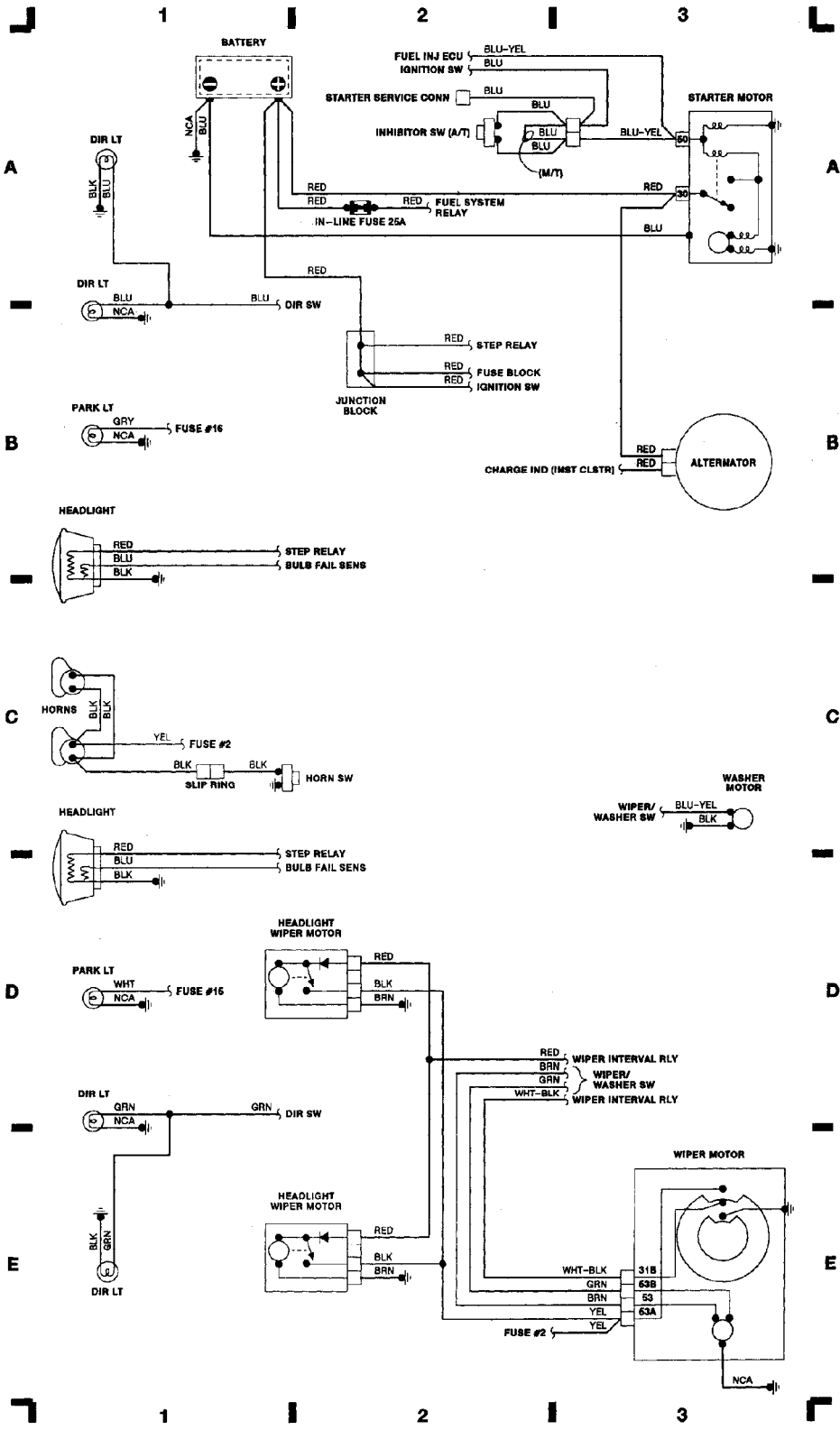
# WIRING DIAGRAMS

## Fig. 1: Engine Compartment & Headlights

1989 Volvo 240

**COMPONENT LOCATOR:**

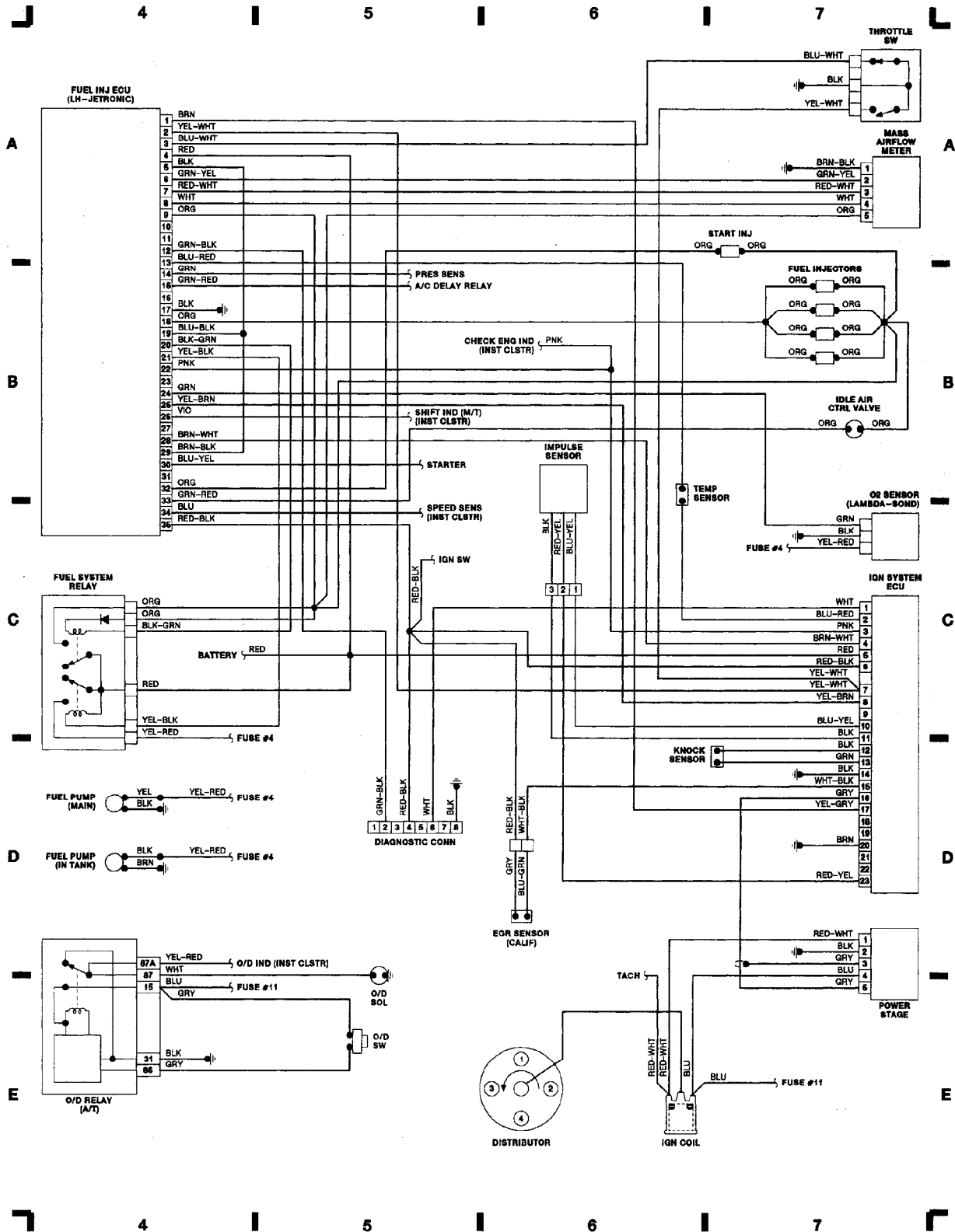
A/C RELAY	.....	D 15
ALTERNATOR	.....	B 3
ANTENNA	.....	D 21-22
BACK-UP LT SW	.....	B 22
BATTERY	.....	A 1
BRAKE LT SW	.....	E 21
BULB FAIL SENS	.....	E 20
COURTESY LT (WAGON)	.....	B 18
COURTESY LT	.....	A-B 18
DEFOG SW	.....	C 20
DEFOG TIME DELAY RELAY	.....	B-C 20
DELAY RELAY	.....	A 18
DIAG CONN	.....	D 5
DIR SW	.....	A 11
ENG COMPT LT	.....	B-C 19
FLASHER RELAY	.....	A-B 9-10
FUEL INJ ECU	.....	A-C 4
FUEL PUMP (IN TANK)	.....	D 4
FUEL PUMP (MAIN)	.....	D 4
FUEL SYSTEM RELAY	.....	C 4
FUSE BLOCK	.....	B-E 9-10
GLOVE BOX LT	.....	A 19
HAZARD SW	.....	A-B 11
HEADLIGHT MOTORS	.....	D-E 1-2
HEATER FAN SW (W/A/C)	.....	E 15
HEATER FAN SW (W/O A/C)	.....	E 12
IGN COIL	.....	E 6
IGN SW	.....	B-C 8
INST CLSTR	.....	A-D 12
JUNCTION BLOCK	.....	B 2
LEFT SEAT HEATER SW	.....	D 20
LOCKING RELAY	.....	E 19
MIRROR SWS	.....	D-E 18
O/D RELAY (A/T)	.....	D-E 4
O <sub>2</sub> SENSOR	.....	C 7
POWER WINDOW RELAY	.....	B 17-18
PRES SENSOR	.....	D 14
REAR FOG LT	.....	B-C 21
REAR WIPER SYSTEM	.....	A-B 20-22
RHEOSTAT	.....	D 12
SEAT BELT LTS	.....	C 6
SEAT BELT WARN	.....	E 9
STARTER MOTOR	.....	A 3
STEP RELAY	.....	A 8
TRUNK LT	.....	C 19
WARNING BUZZER	.....	E 8
WASHER MOTOR	.....	E 3
WIPER INTERVAL RELAY	.....	C-D 15
WIPER MOTOR	.....	E 3
WIPER/WASHER SW	.....	B-C 15



# WIRING DIAGRAMS

## Fig. 2: Computer Engine Control

1989 Volvo 240



**WIRING DIAGRAMS**  
**Fig. 3: Fuse Block and Relays**  
 1989 Volvo 240

