

SYSTEM WIRING DIAGRAMS

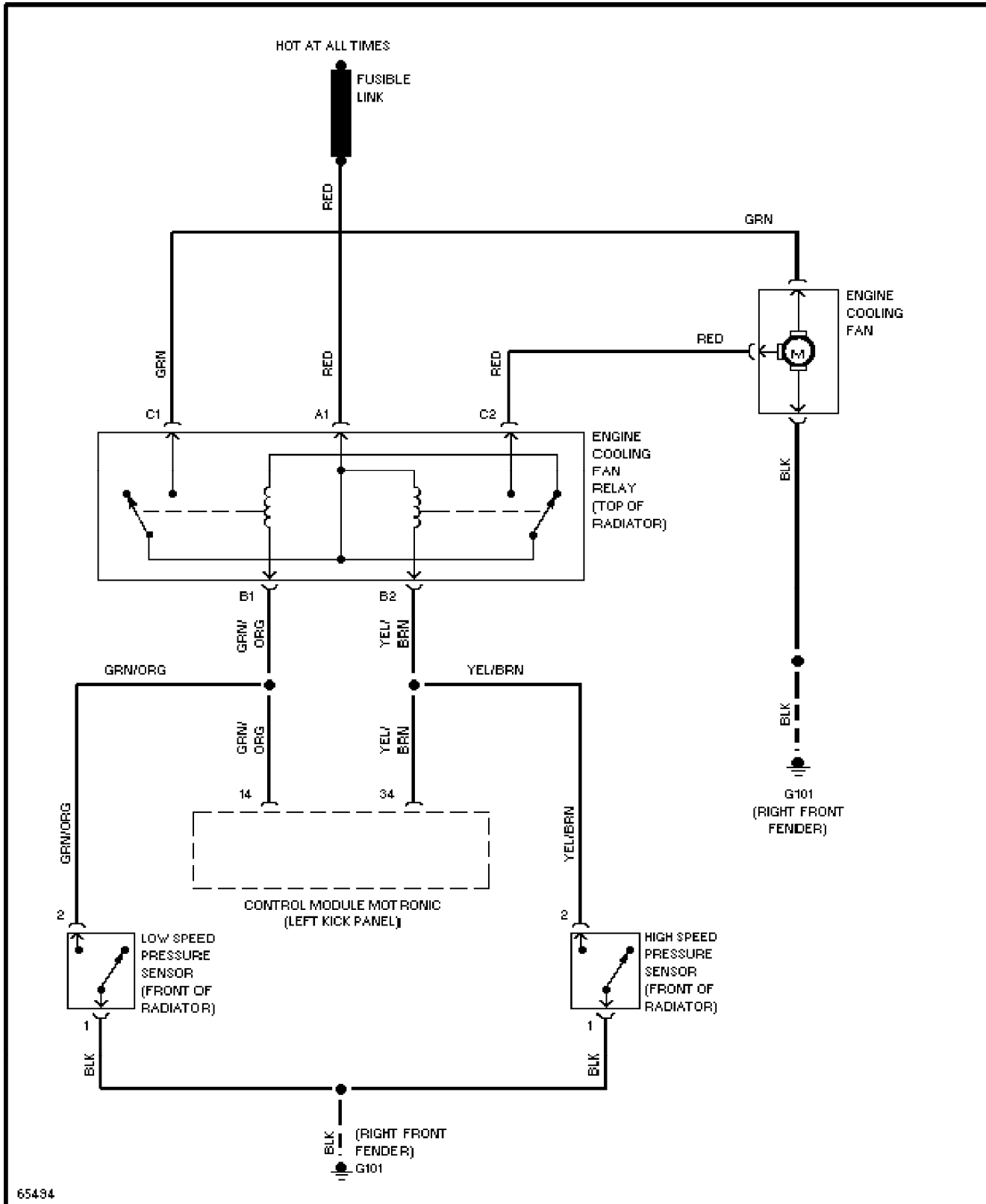
Cooling Fan Circuit

1993 Volvo 960

For x

Copyright © 1998 Mitchell Repair Information Company, LLC

Saturday, July 24, 2004 12:02AM



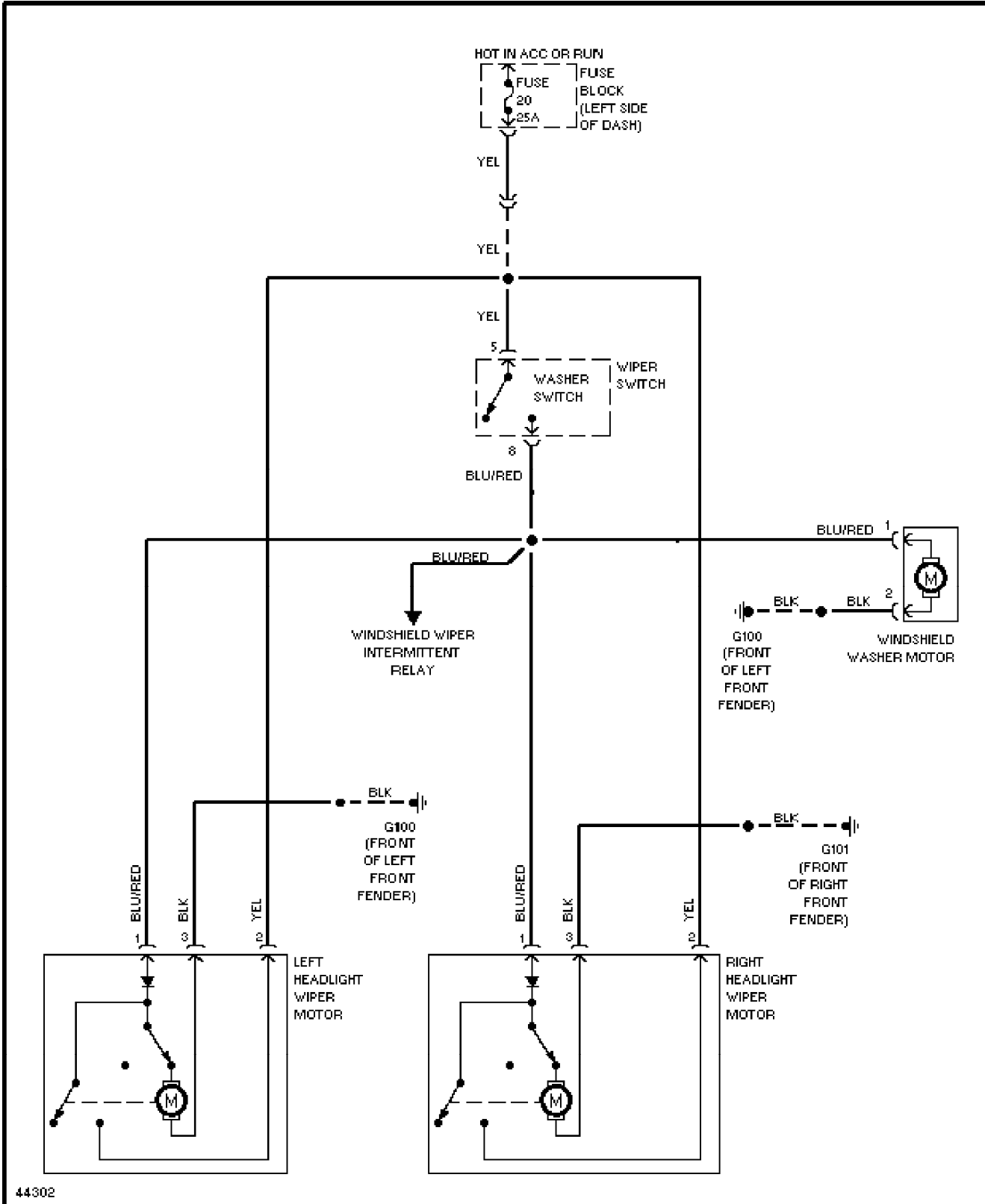
SYSTEM WIRING DIAGRAMS

Headlight Washer/Wiper Circuit

1993 Volvo 960

For x

Copyright © 1998 Mitchell Repair Information Company, LLC
Saturday, July 24, 2004 12:03AM



SYSTEM WIRING DIAGRAMS

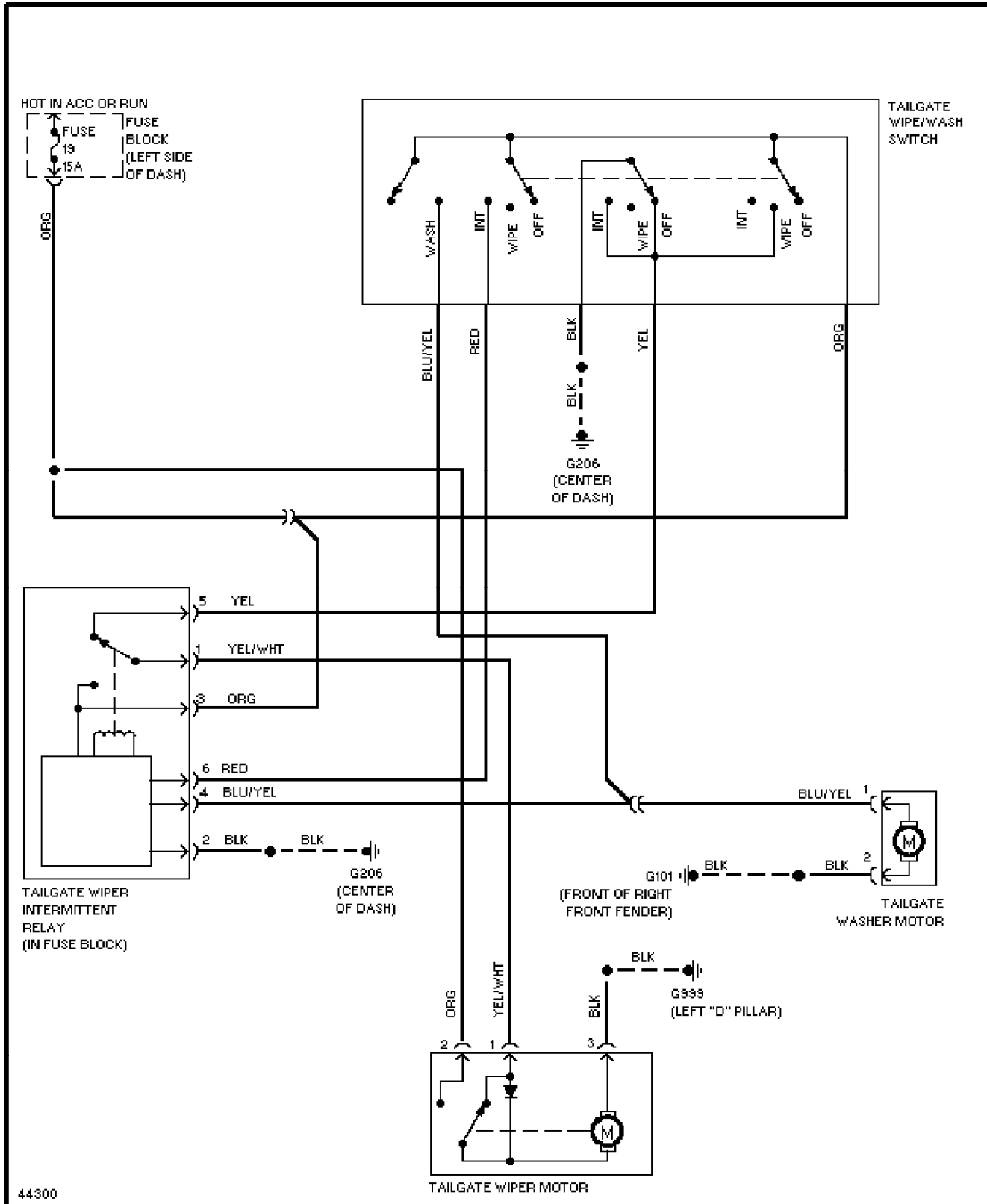
Rear Washer/Wiper Circuit

1993 Volvo 960

For x

Copyright © 1998 Mitchell Repair Information Company, LLC

Saturday, July 24, 2004 12:03AM



SYSTEM WIRING DIAGRAMS

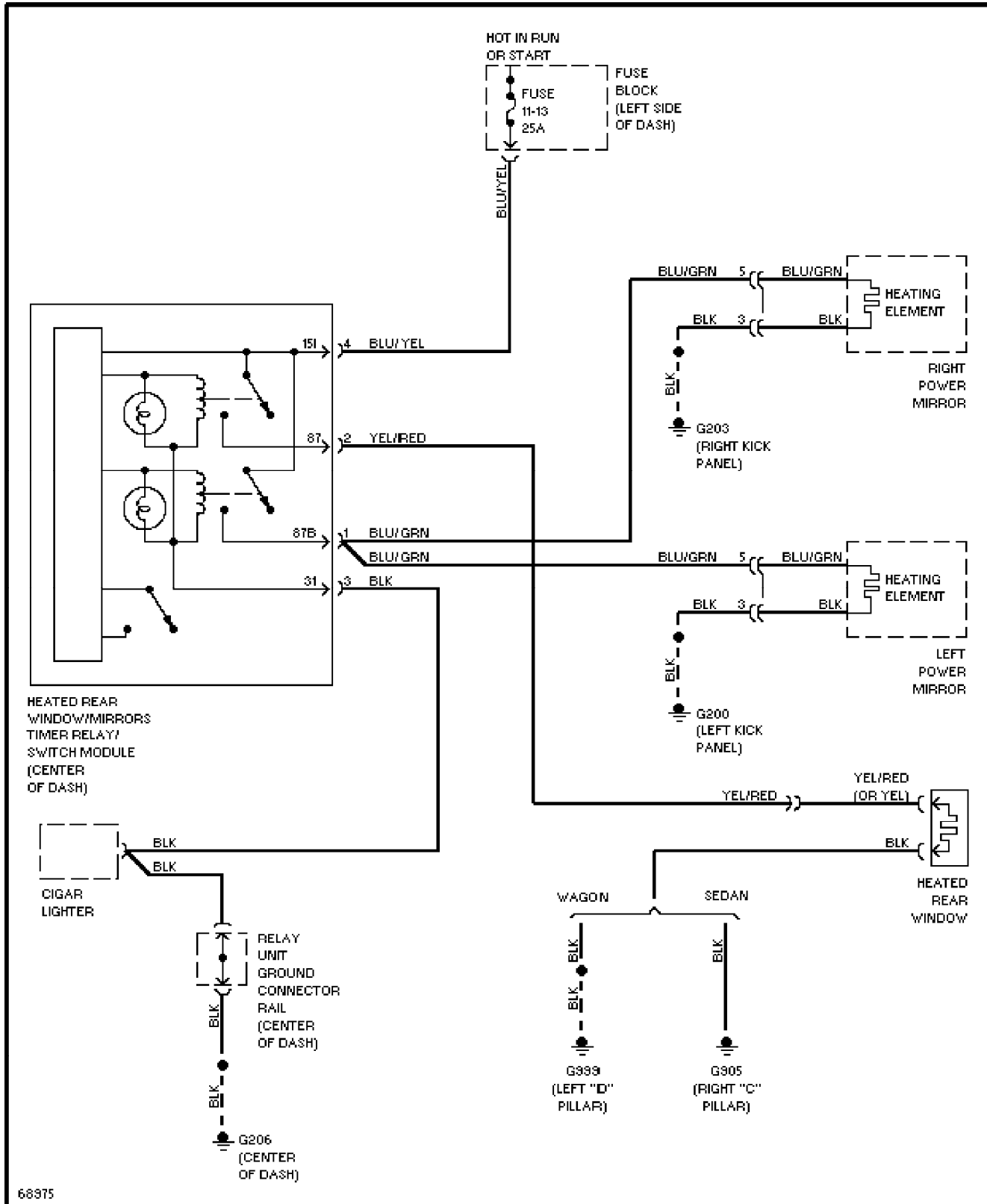
Defogger Circuit

1993 Volvo 960

For x

Copyright © 1998 Mitchell Repair Information Company, LLC

Saturday, July 24, 2004 12:02AM



SYSTEM WIRING DIAGRAMS

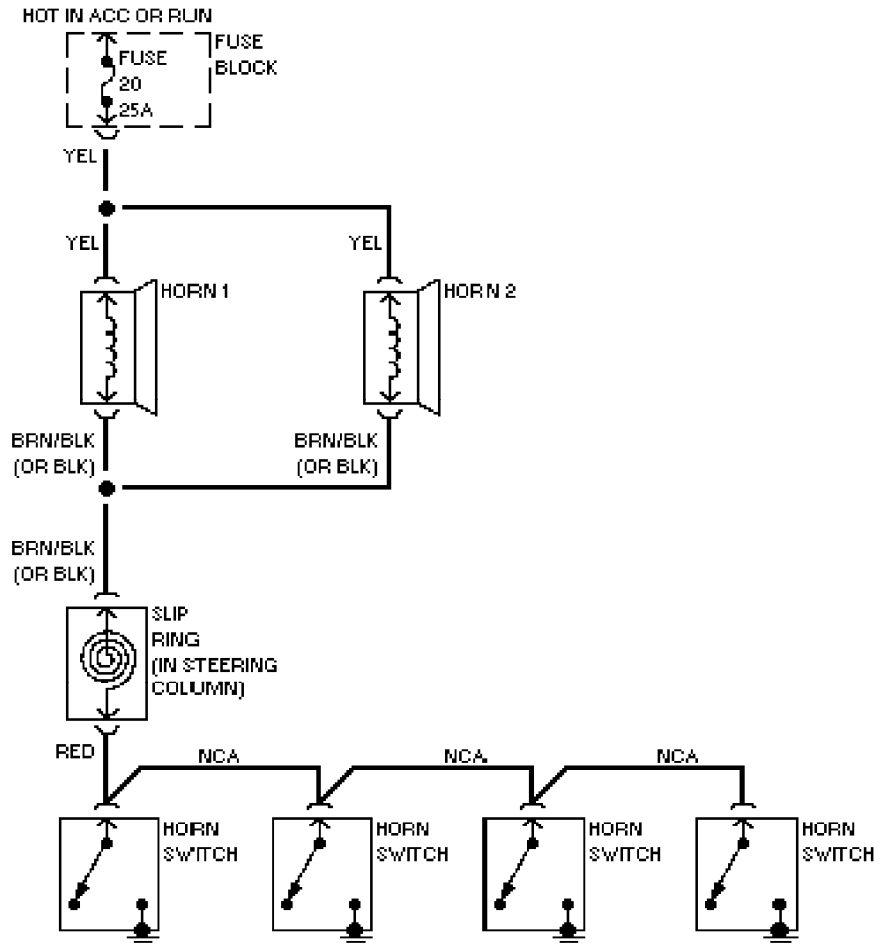
Horn Circuit

1993 Volvo 960

For x

Copyright © 1998 Mitchell Repair Information Company, LLC

Saturday, July 24, 2004 12:02AM



SYSTEM WIRING DIAGRAMS

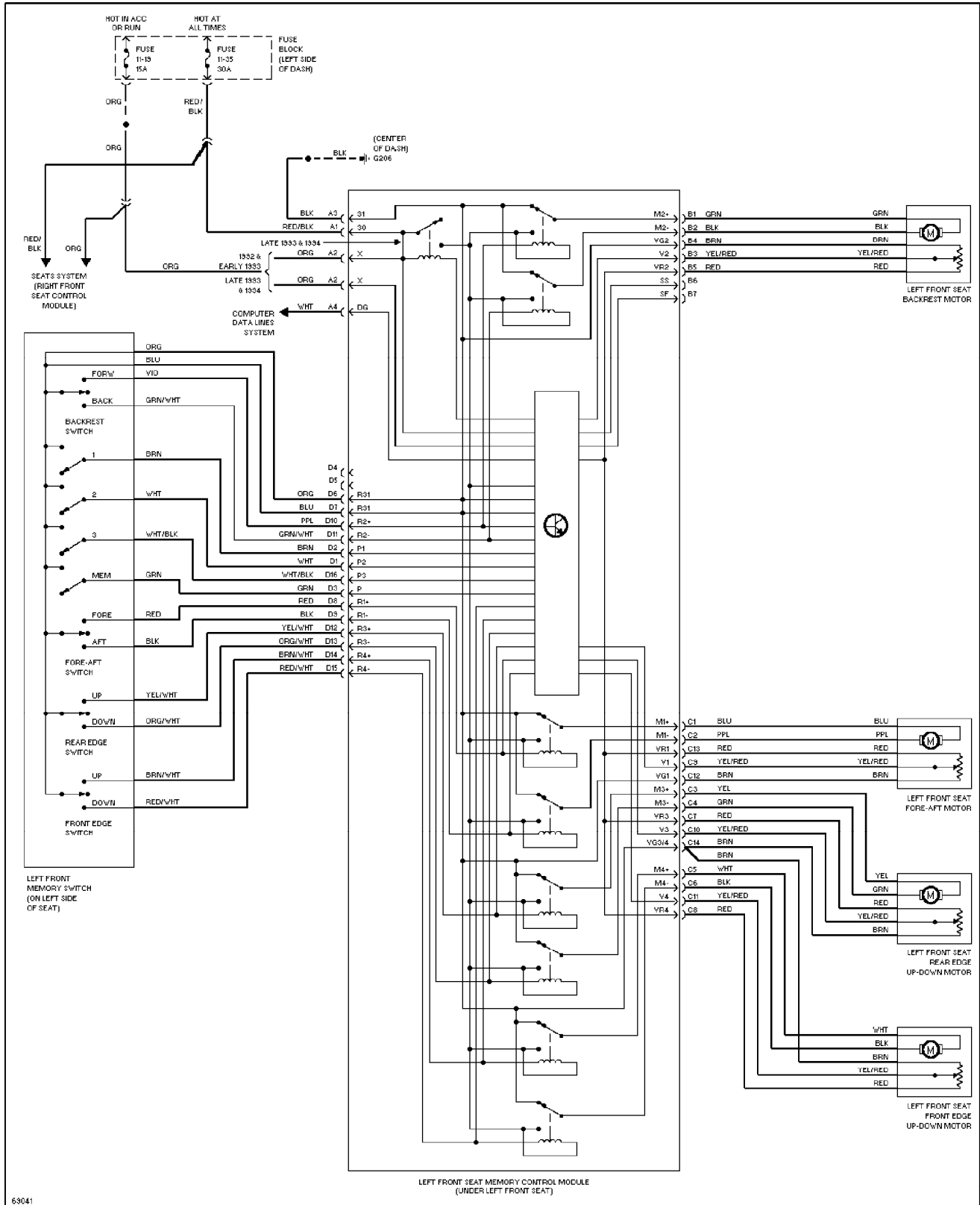
Memory Seat Circuit

1993 Volvo 960

For x

Copyright © 1998 Mitchell Repair Information Company, LLC

Saturday, July 24, 2004 12:02AM



SYSTEM WIRING DIAGRAMS

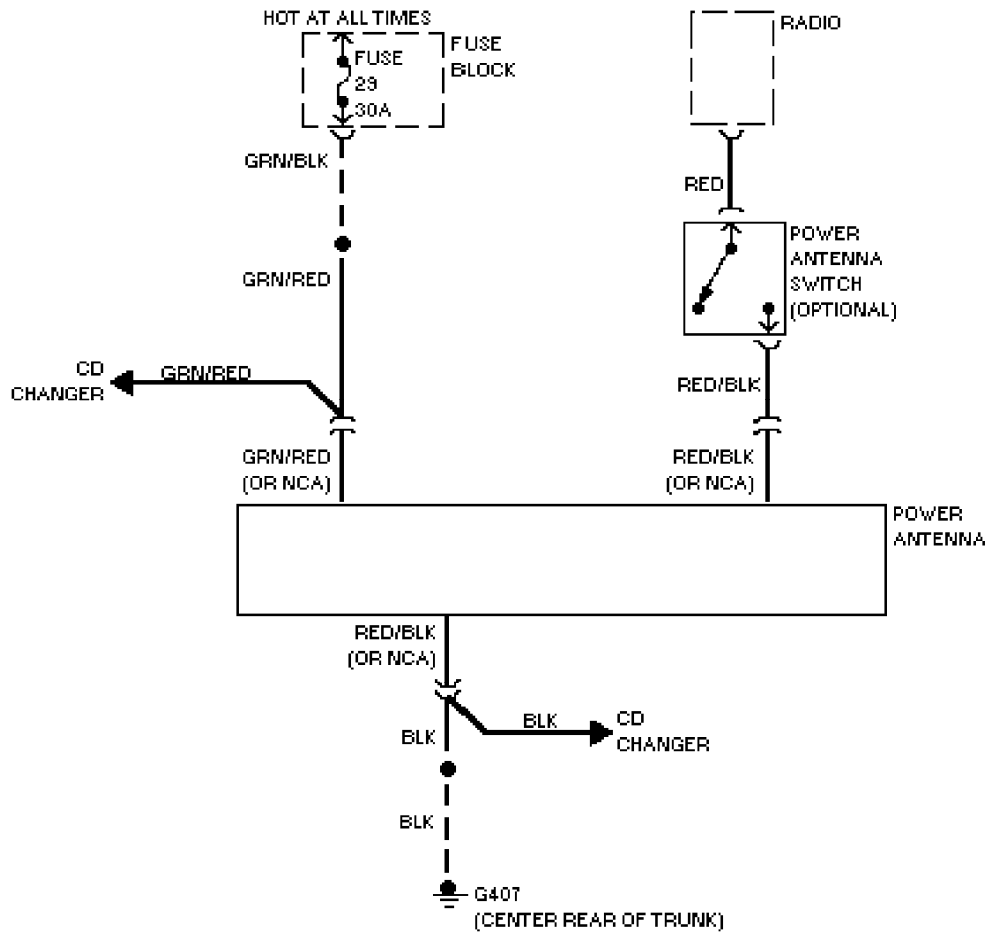
Power Antenna Circuit

1993 Volvo 960

For x

Copyright © 1998 Mitchell Repair Information Company, LLC

Saturday, July 24, 2004 12:02AM



SYSTEM WIRING DIAGRAMS

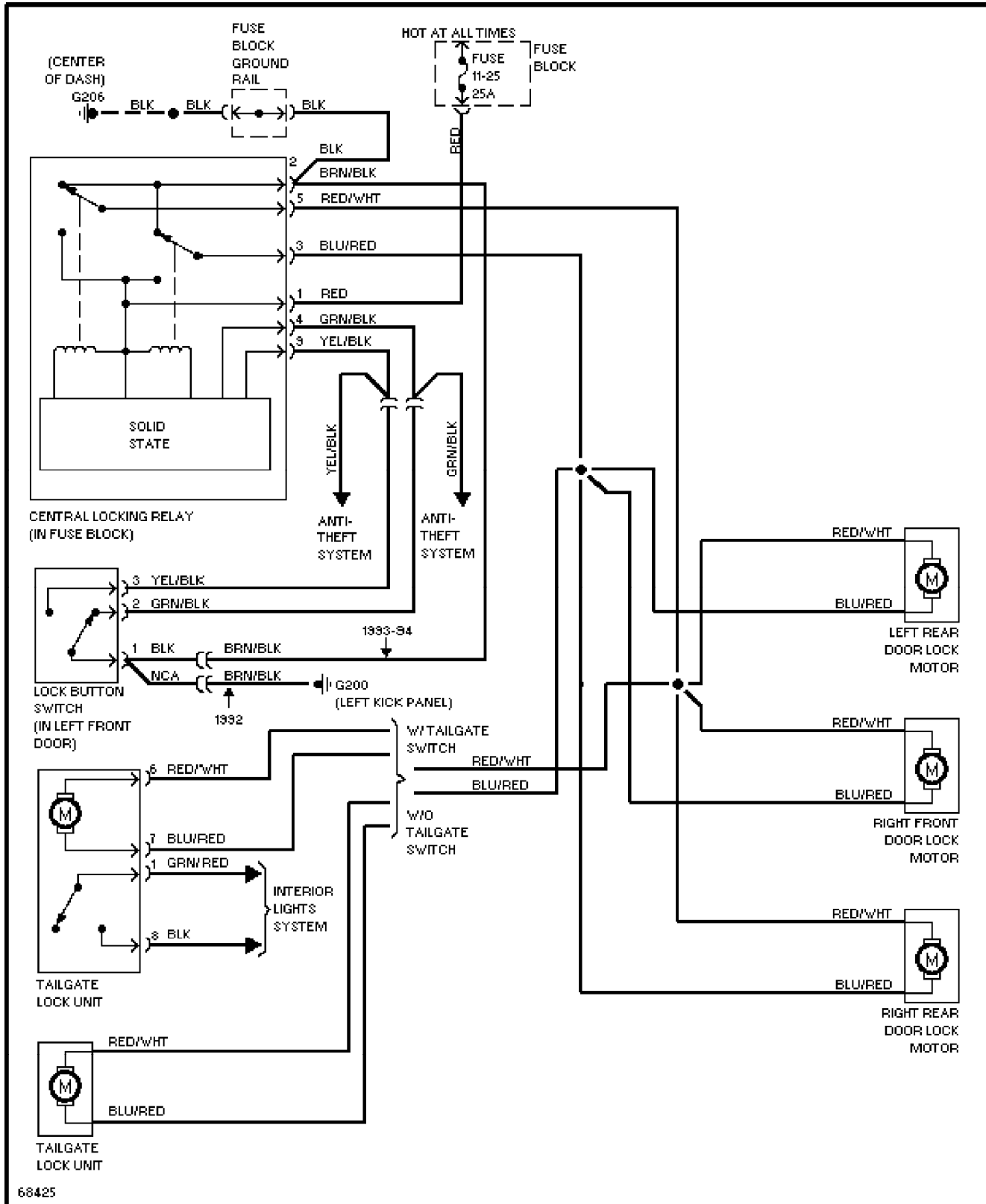
Power Door Lock Circuit

1993 Volvo 960

For x

Copyright © 1998 Mitchell Repair Information Company, LLC

Saturday, July 24, 2004 12:02AM



SYSTEM WIRING DIAGRAMS

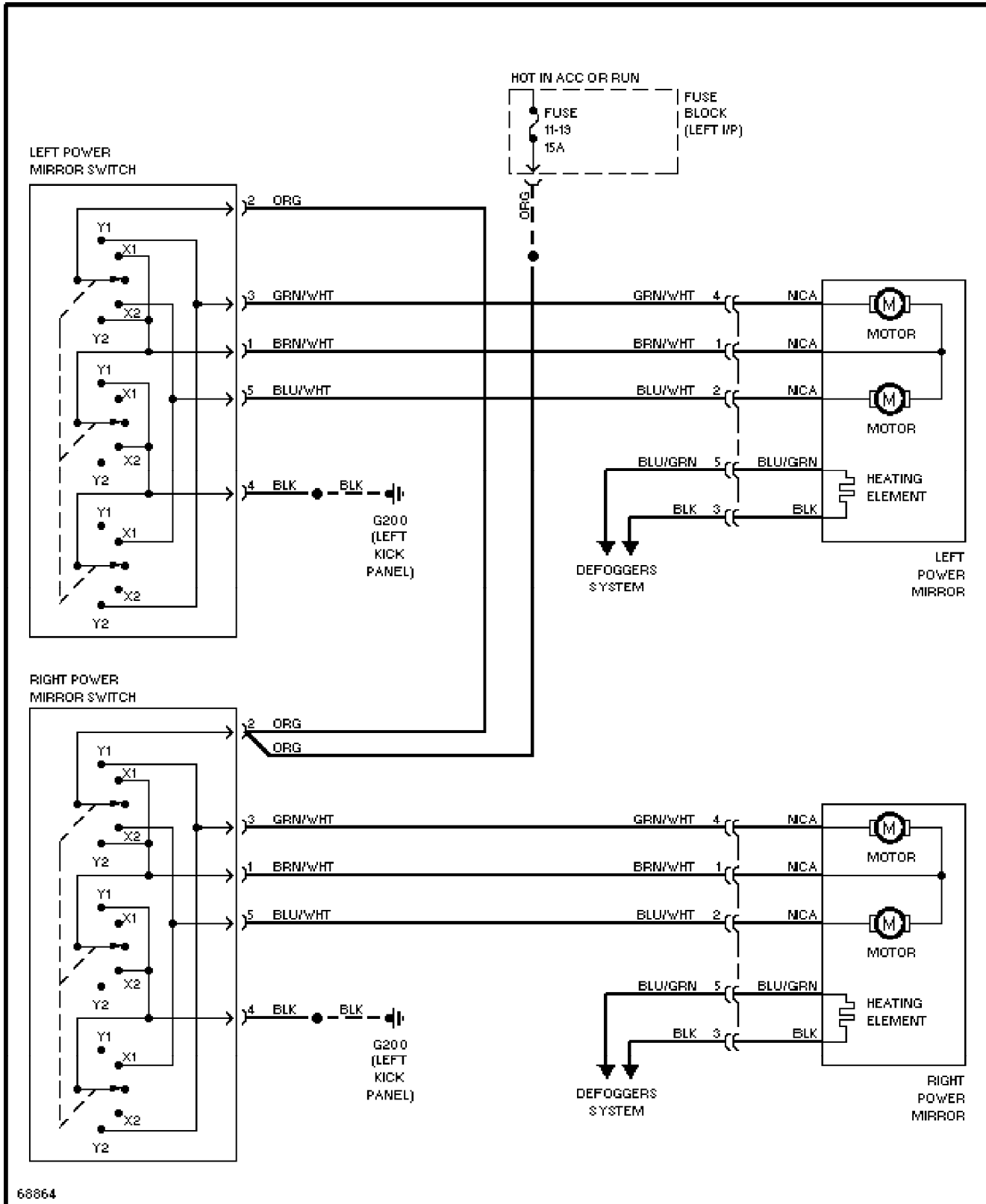
Power Mirror Circuit

1993 Volvo 960

For x

Copyright © 1998 Mitchell Repair Information Company, LLC

Saturday, July 24, 2004 12:02AM



SYSTEM WIRING DIAGRAMS

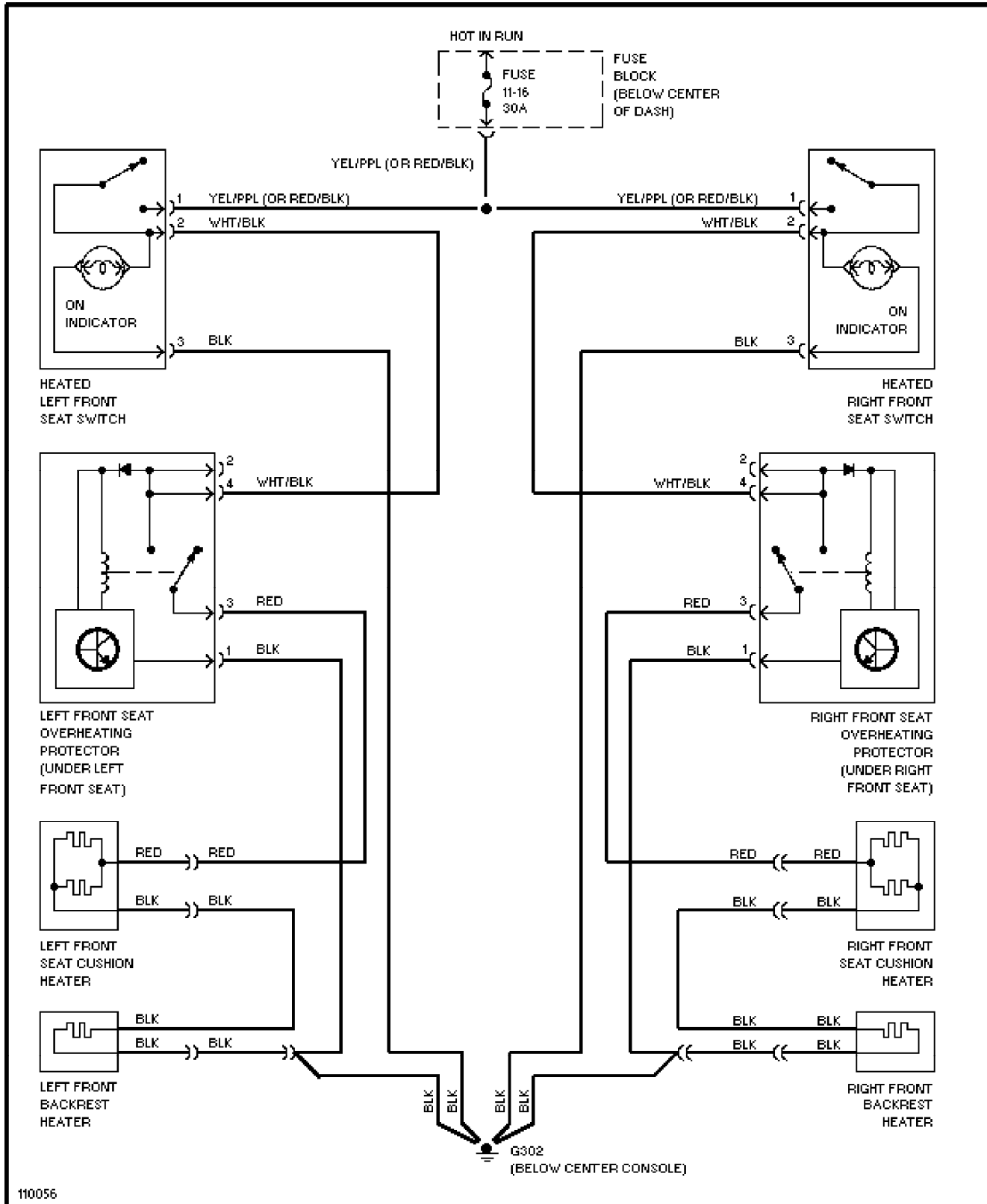
Heated Seats Circuit

1993 Volvo 960

For x

Copyright © 1998 Mitchell Repair Information Company, LLC

Saturday, July 24, 2004 12:02AM



SYSTEM WIRING DIAGRAMS

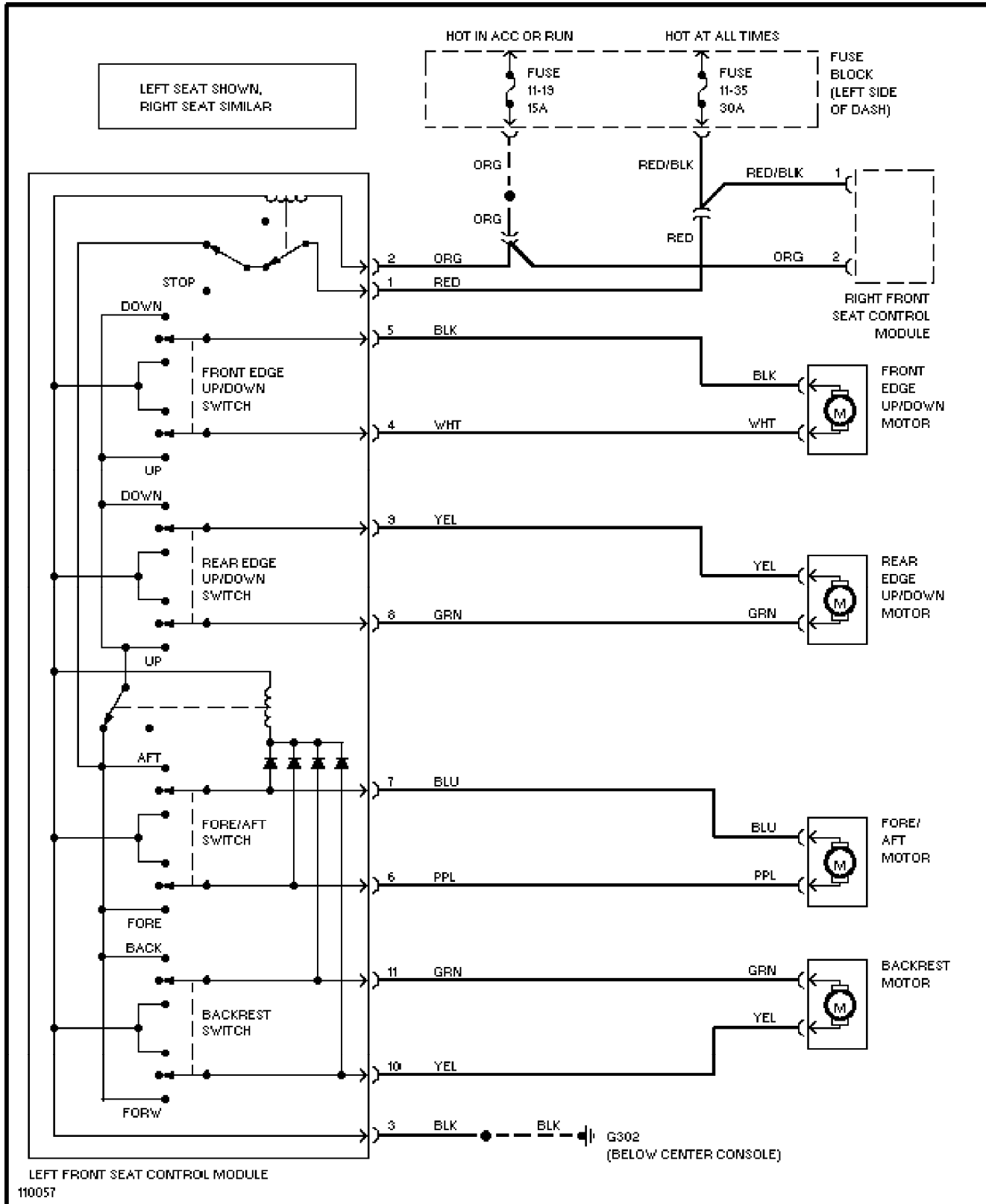
Power Seats Circuit

1993 Volvo 960

For x

Copyright © 1998 Mitchell Repair Information Company, LLC

Saturday, July 24, 2004 12:02AM



SYSTEM WIRING DIAGRAMS

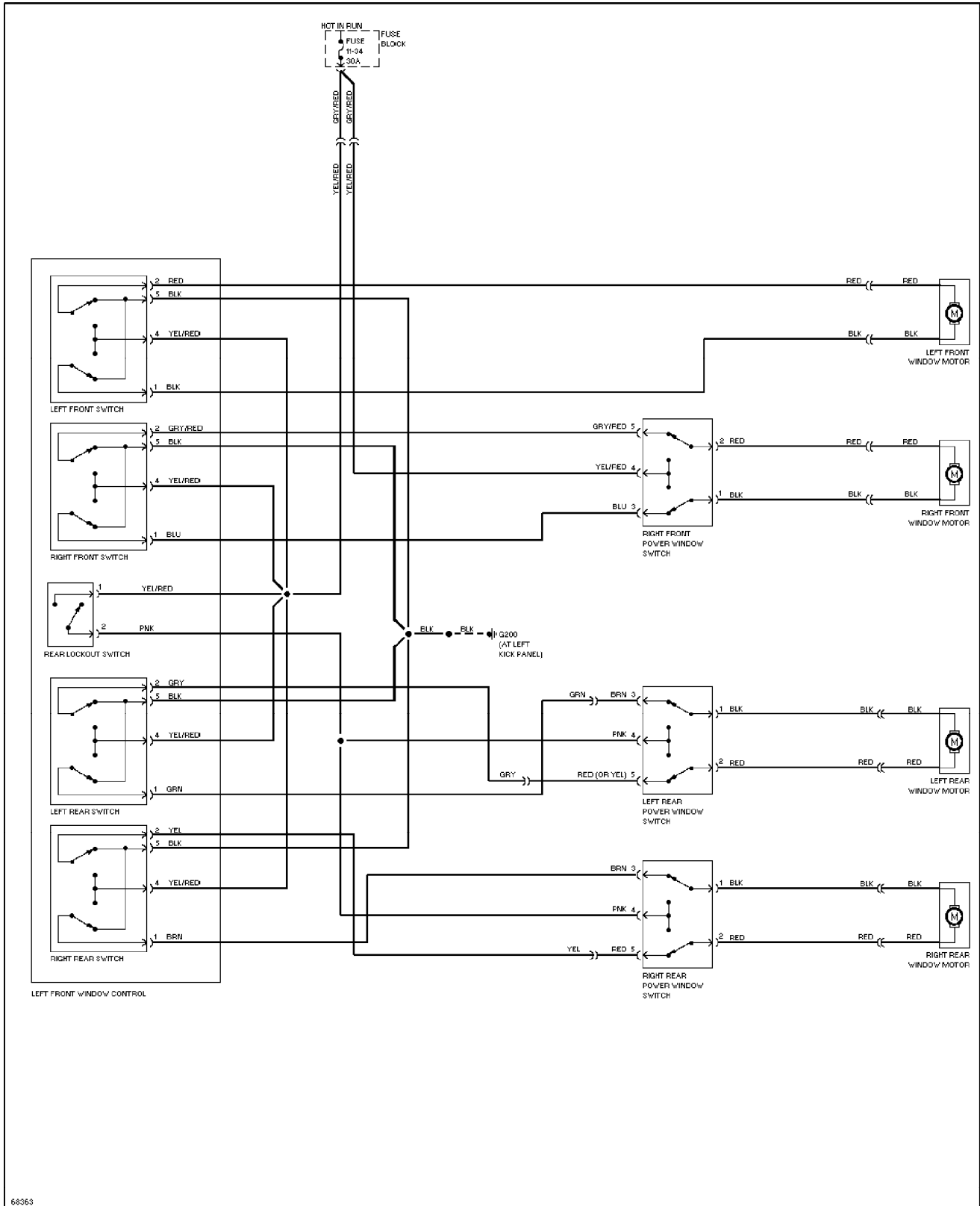
Power Window Circuit

1993 Volvo 960

For x

Copyright © 1998 Mitchell Repair Information Company, LLC

Saturday, July 24, 2004 12:02AM



SYSTEM WIRING DIAGRAMS

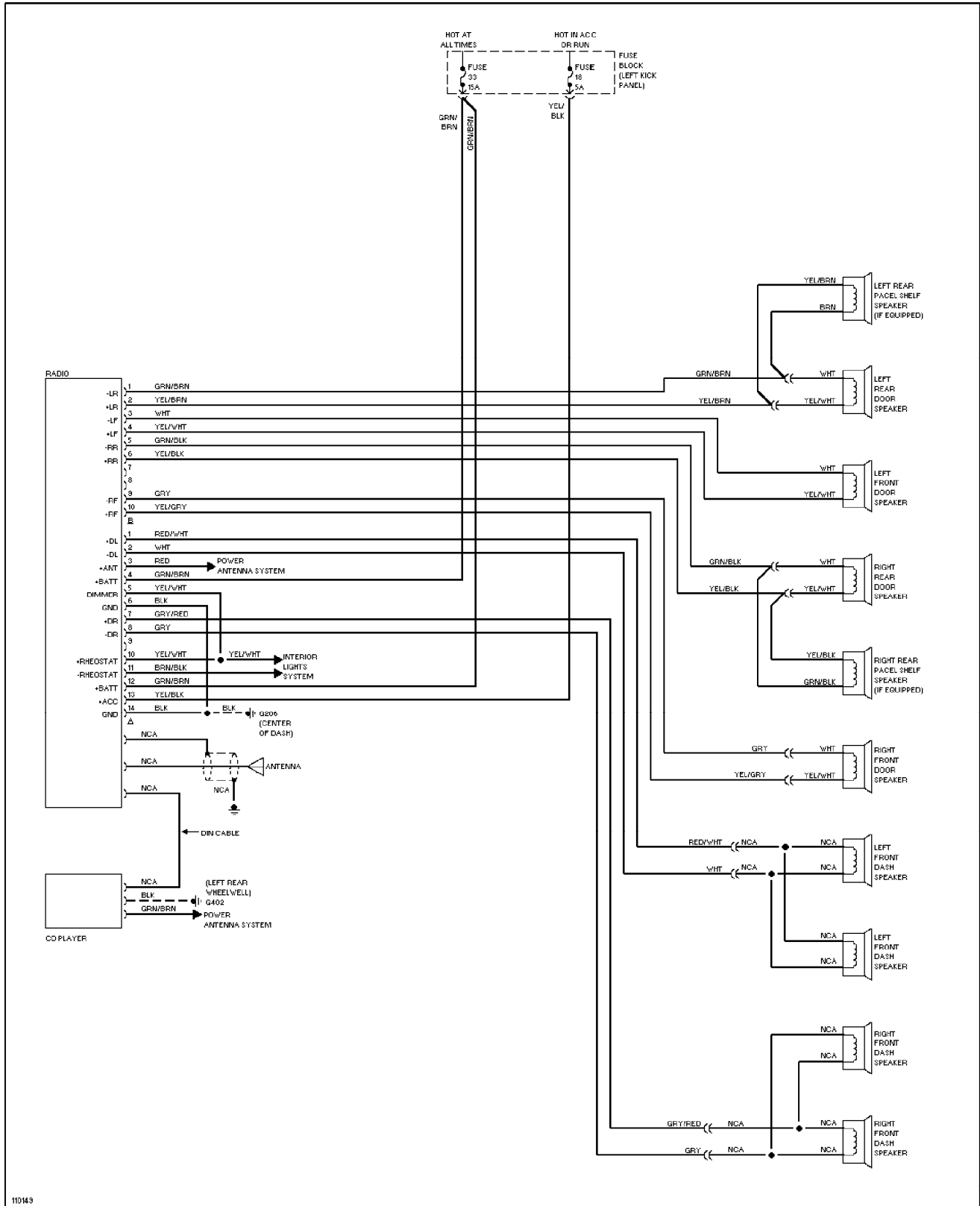
Radio Circuits

1993 Volvo 960

For x

Copyright © 1998 Mitchell Repair Information Company, LLC

Saturday, July 24, 2004 12:02AM



SYSTEM WIRING DIAGRAMS

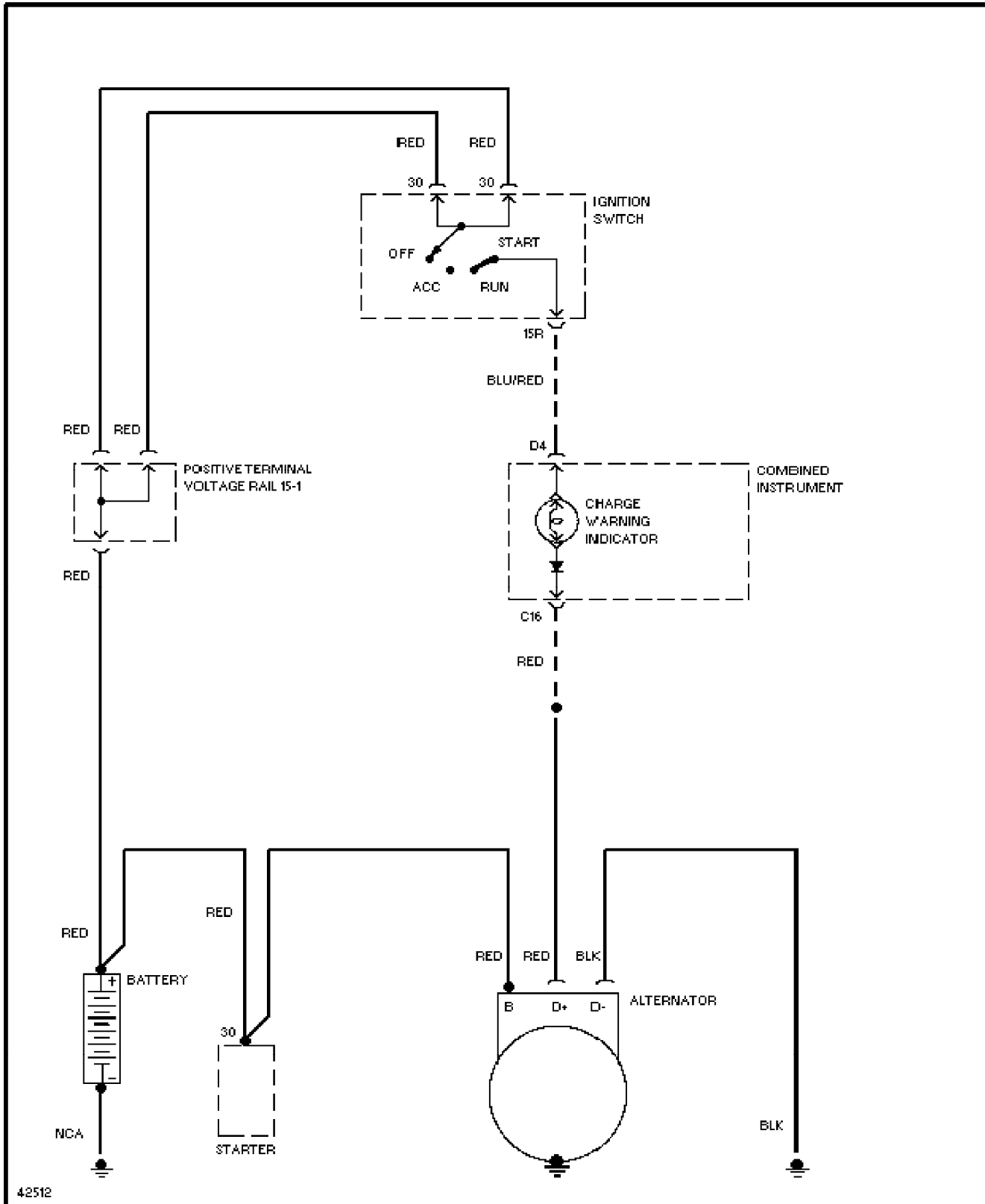
Charging Circuit

1993 Volvo 960

For x

Copyright © 1998 Mitchell Repair Information Company, LLC

Saturday, July 24, 2004 12:02AM



SYSTEM WIRING DIAGRAMS

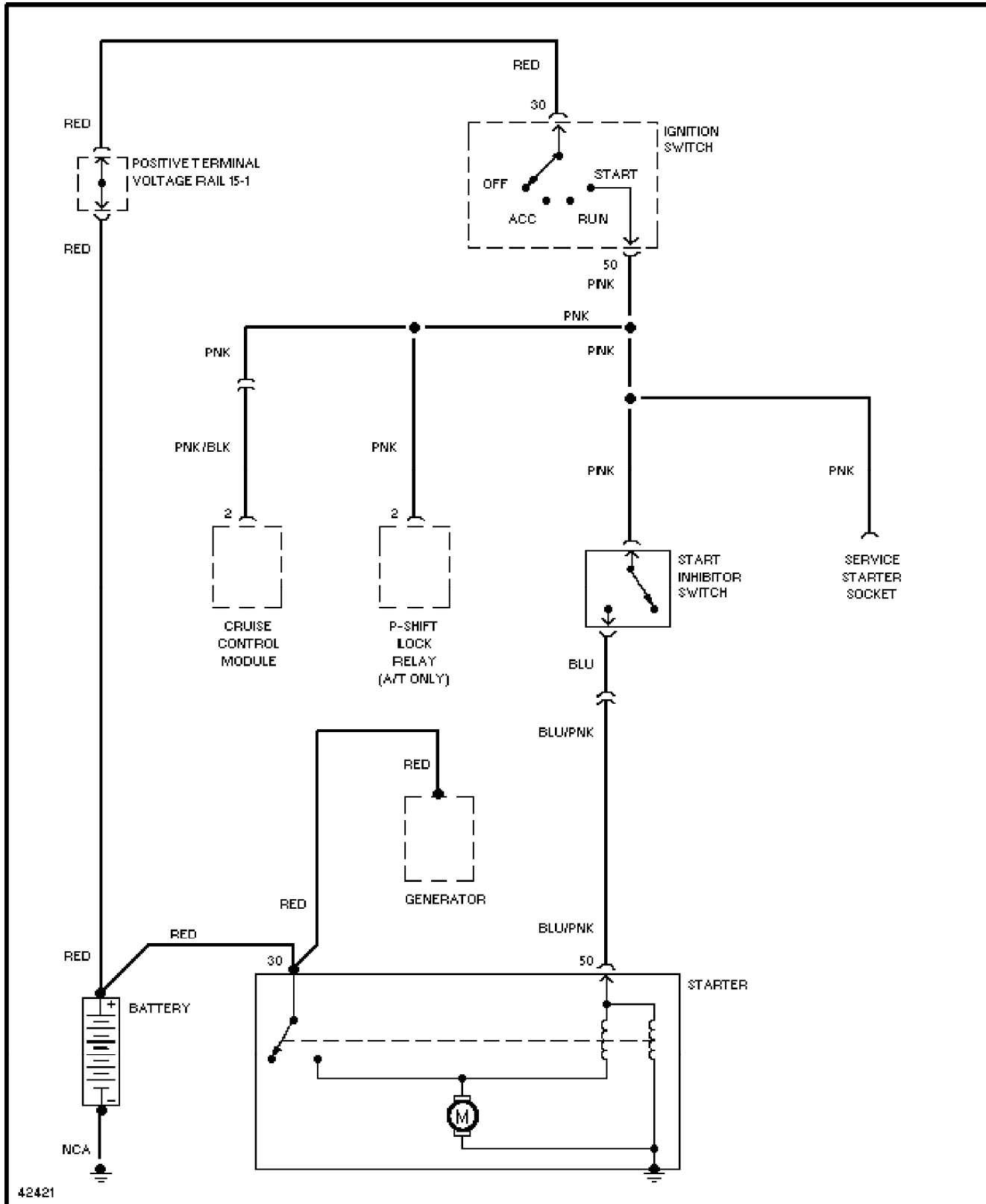
Starting Circuit

1993 Volvo 960

For x

Copyright © 1998 Mitchell Repair Information Company, LLC

Saturday, July 24, 2004 12:02AM



SYSTEM WIRING DIAGRAMS

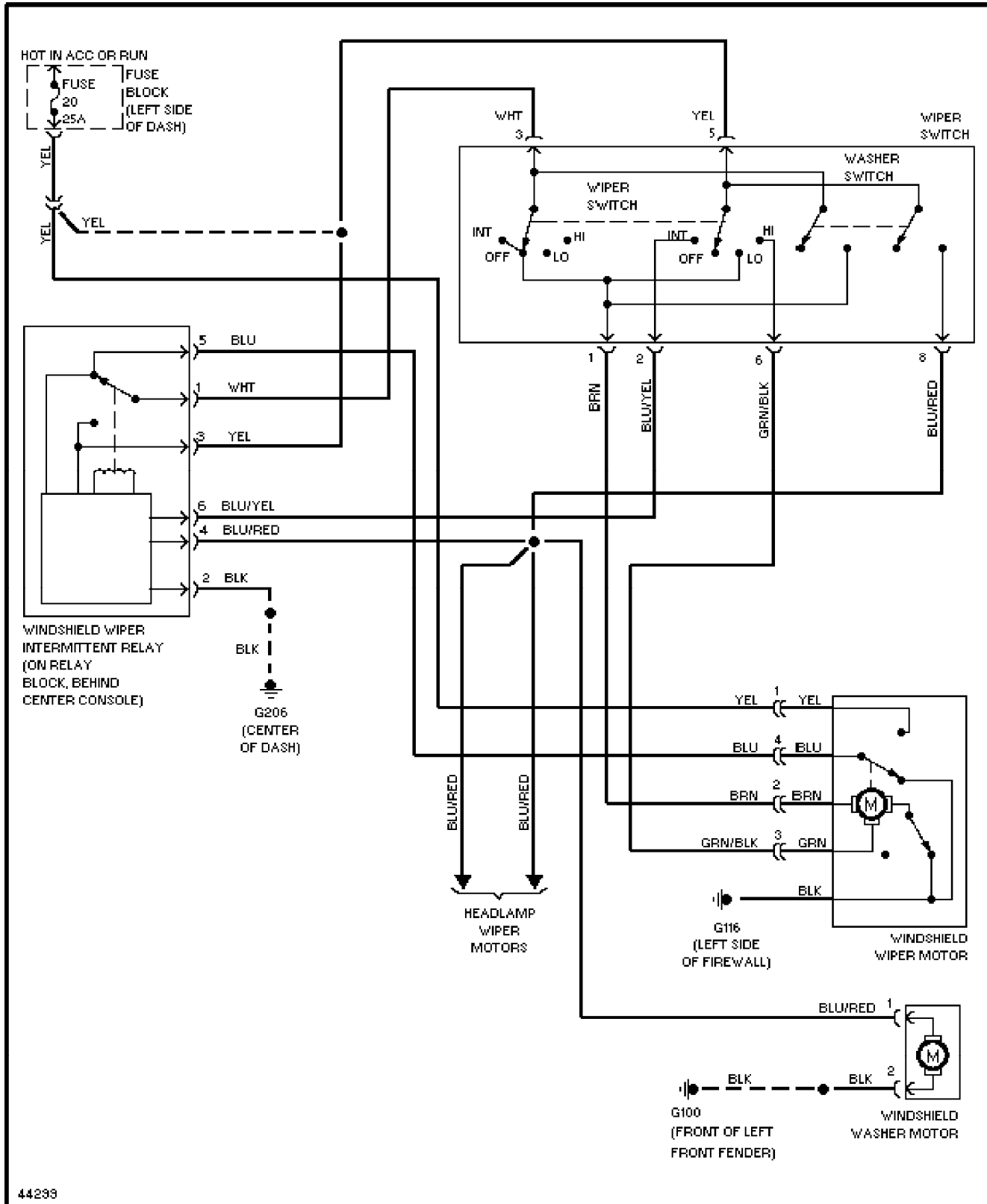
Front Washer/Wiper Circuit

1993 Volvo 960

For x

Copyright © 1998 Mitchell Repair Information Company, LLC

Saturday, July 24, 2004 12:03AM



WIRING DIAGRAMS

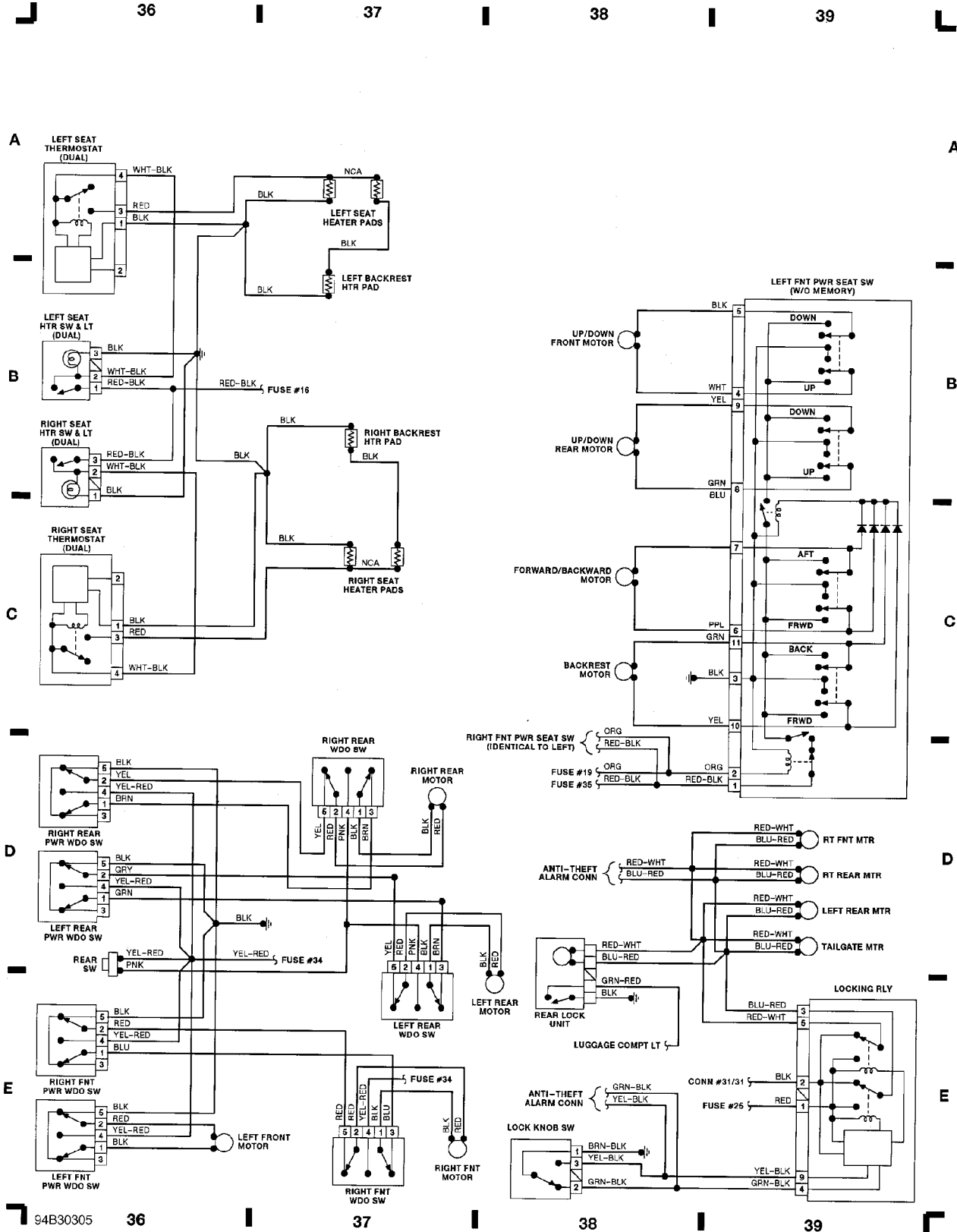
Fig. 10: Power Seat (W/O Memory), Pwr Window/Lock (Grid 36-39)

1993 Volvo 960

For x

Copyright © 1998 Mitchell Repair Information Company, LLC

Saturday, July 24, 2004 12:04AM



WIRING DIAGRAMS

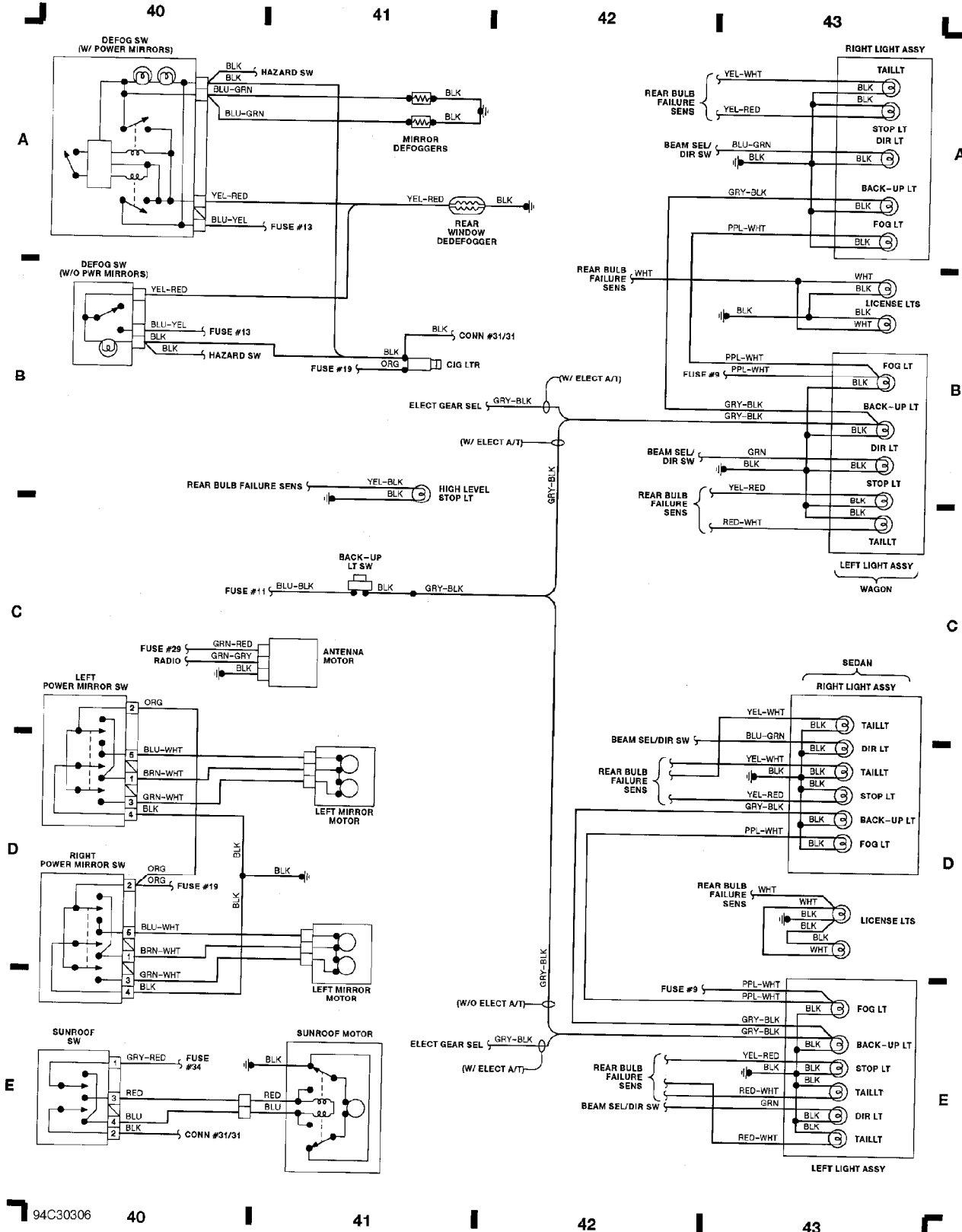
Fig. 11: Power Mirror/Defogger Sw, Taillight (Grid 40-43)

1993 Volvo 960

For x

Copyright © 1998 Mitchell Repair Information Company, LLC

Saturday, July 24, 2004 12:04AM



WIRING DIAGRAMS

Fig. 1: Engine Compartment, Headlights (Grid 1-3)

1993 Volvo 960

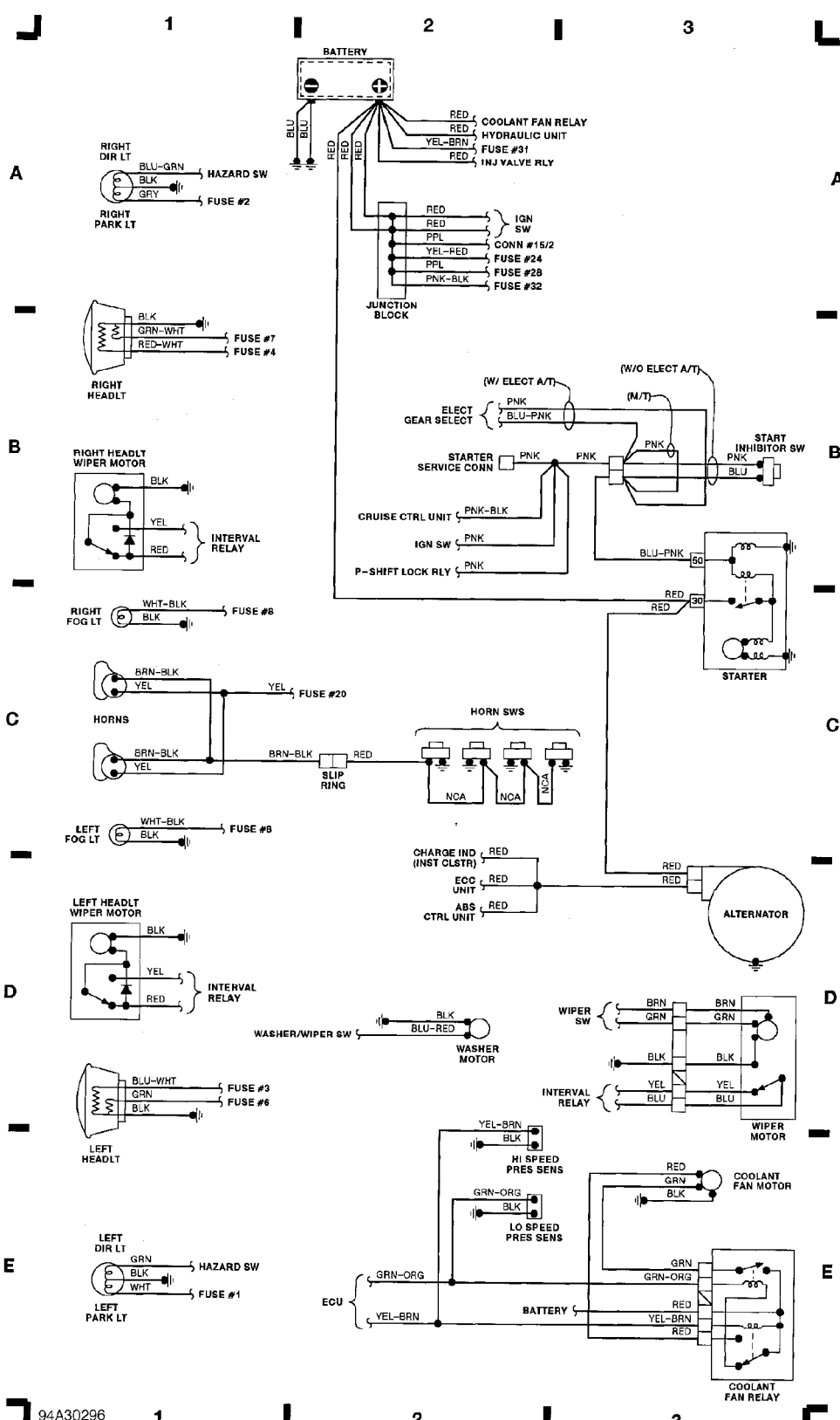
For x

Copyright © 1998 Mitchell Repair Information Company, LLC

Saturday, July 24, 2004 12:03AM

COMPONENT LOCATOR:

A/C COMP	A 13
A/T CONTROL UNIT	C-E 15
ABS CONTROL UNIT	A-B 20
ALTERNATOR	D 3
ANTENNA MOTOR	C 41
ANTI-THEFT ALARM CONN	E 28
BACK-UP LT SW	C 41
BEAM SEL/DIR SW	A 15
CLIG LTR	B 41
CLOCK SETTING SW	E 27
CONN #15/2	A 9-10
CONN #15/4	E 10
CONN #31/31	E 9-10
COOLANT FAN RELAY	E 3
CRUISE CONTROL SW	D 19
CRUISE CONTROL UNIT	E 19
DATA LINK CONN (DLC)	A 6
DEFOG SW	A-B 40
ECC POWER UNIT	B 12
ECC UNIT	A-B 15
ELECT GEAR SELECT	E 12
ELECTRONIC CONTROL UNIT (ECU)	A-C 4
FOG LT RELAY	D 13
FRONT BULB FAILURE SENSOR	E 20
FRONT SEAT BELT LOCK	D 31
FUEL INJECTOR RELAY	C 7
FUEL PUMP (IN TRIG)	D 4
FUSE BLOCK	A-E 8-10
HAZARD SW	A-D 16
HIGH LEVEL STOP LT	B-C 41
HYDRAULIC UNIT	C 23
IGNITION RELAY	E 7
IGNITION SW	A 8
INJECTOR VALVE RELAY	E 7
INSTRUMENT CLUSTER	A-C 24-27
INTERVAL RELAY	C 23
JUNCTION BLOCK	A 2
LEFT FRONT POWER SEAT SW (W/O MEMORY)	B-D 39
LEFT HEADLT WIPER MOTOR	D 1
LEFT REAR POWER WINDOW SW	D 36
LEFT SEAT HEATER SW & LT	D 36
LIGHT SW	A-B 19
LOCKING RELAY	E 39
MAIN LIGHT RELAY	B-C 19
MEMORY CONTROL UNIT	B-E 33-34
MODE SELECTOR	E 14
OVERDRIVE RELAY	B-C 12-14
OXYGEN SENSOR	E 6
P-SHIFT LOCK RELAY	A 23
PANEL LTS	D-E 16
POWER MIRROR SW	D 40
REAR BULB FAILURE SENSOR	D-E 20
REAR INTERVAL RELAY	D-E 23
REAR LOCK UNIT	D-E 38
REAR SEAT BELT IND	E 23
REAR WIPER MOTOR	D 23
REAR WIPER SW	D 23
RIGHT FRONT DOOR WARN LT	C 28
RIGHT FRONT WINDOW SW	E 37
RIGHT HEADLT WIPER MOTOR	B 1
SEAT BELT REMINDER	C 31
SETTING MOTOR	C 16
SPARE FUSE LT	A 26
SRS UNIT	D-E 31
STOP LT SW	B 23
SUNROOF SW	D 2
WASHER MOTOR	D 2
WIPER MOTOR	D 3
WIPER/WASHER SW	B 23



WIRING DIAGRAMS

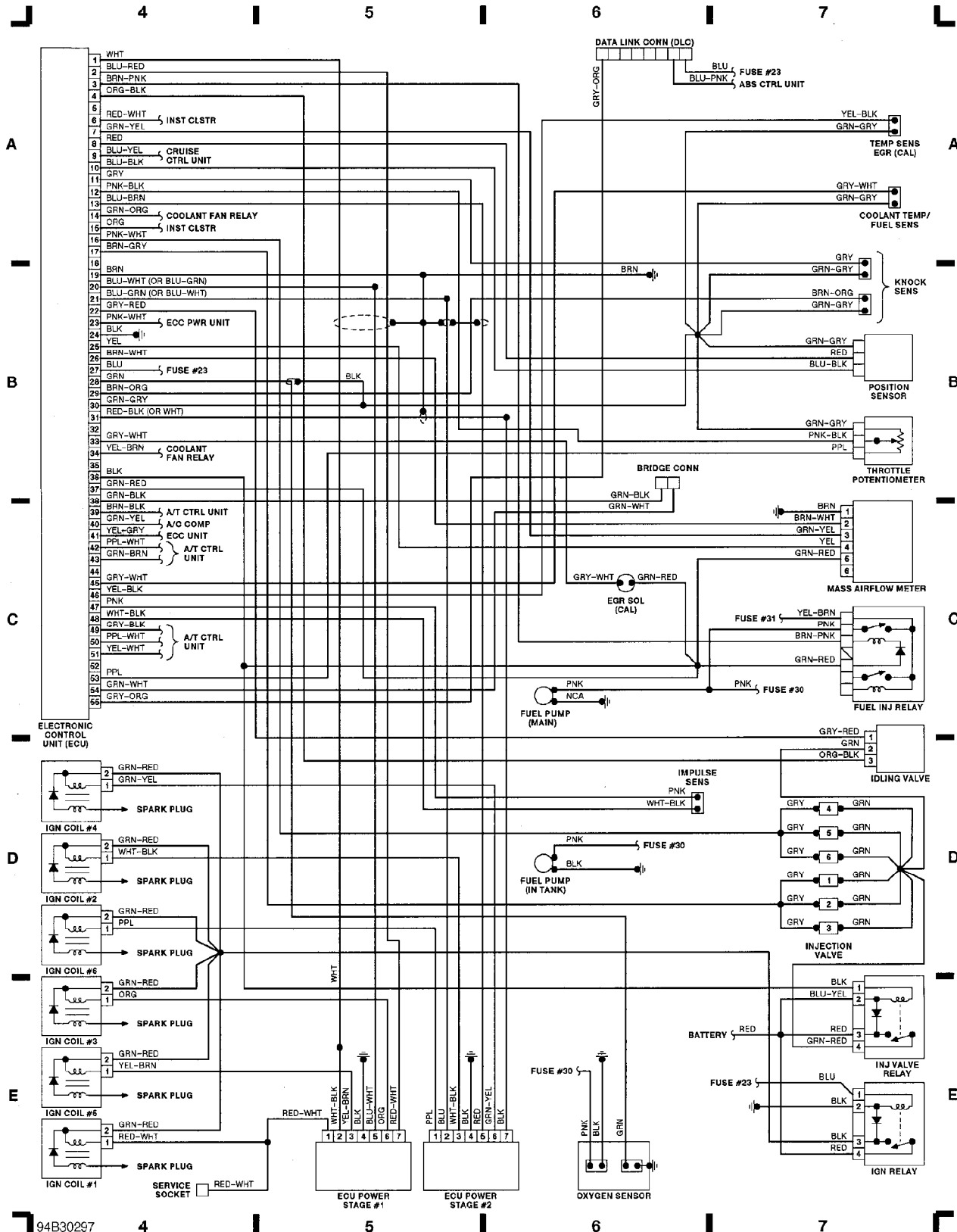
Fig. 2: Electronic Control Unit, Ignition Rly (Grid 4-7)

1993 Volvo 960

For x

Copyright © 1998 Mitchell Repair Information Company, LLC

Saturday, July 24, 2004 12:03AM



WIRING DIAGRAMS

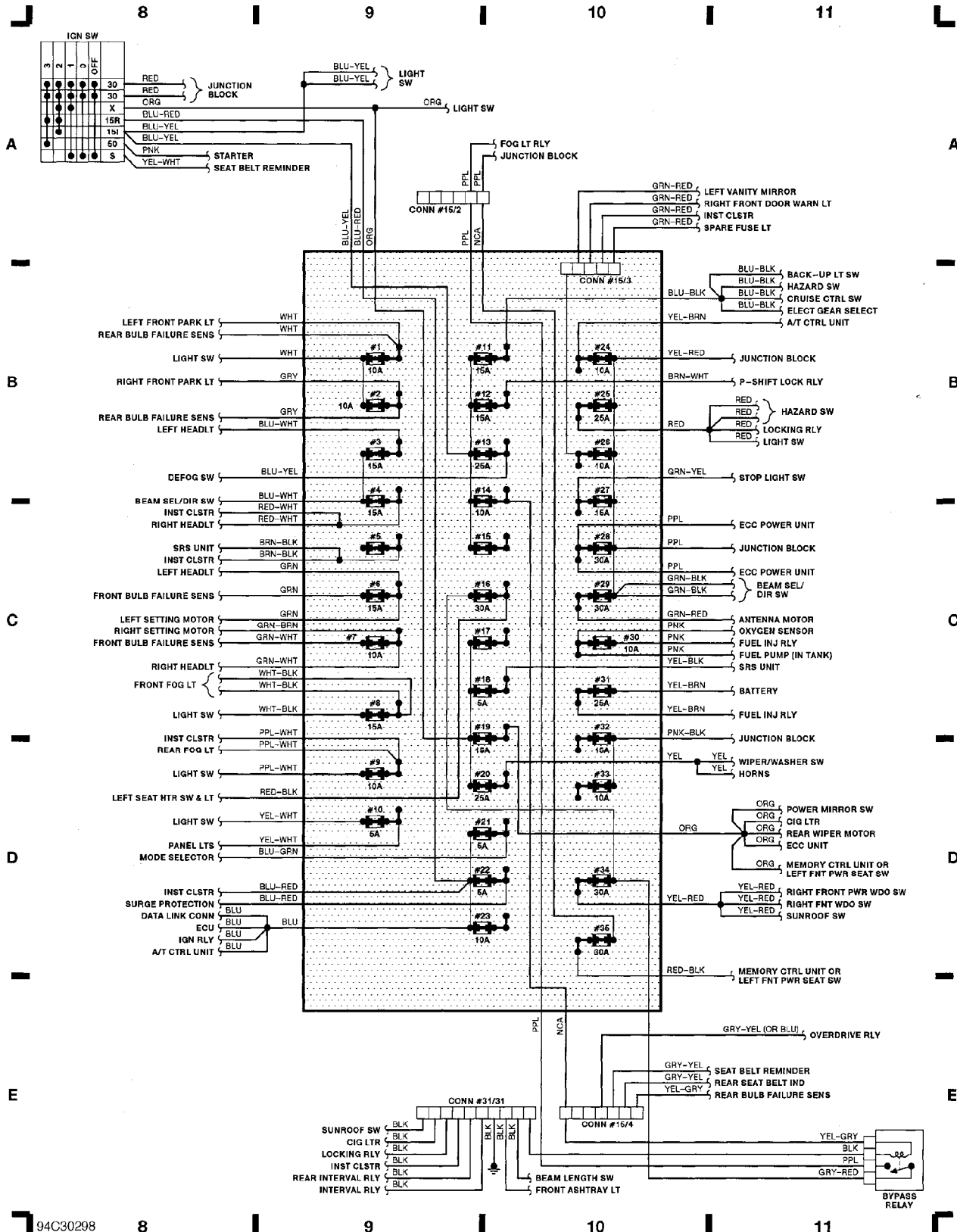
Fig. 3: Ignition Switch, Fuse Block, Bypass Relay (Grid 8-11)

1993 Volvo 960

For x

Copyright © 1998 Mitchell Repair Information Company, LLC

Saturday, July 24, 2004 12:03AM



WIRING DIAGRAMS

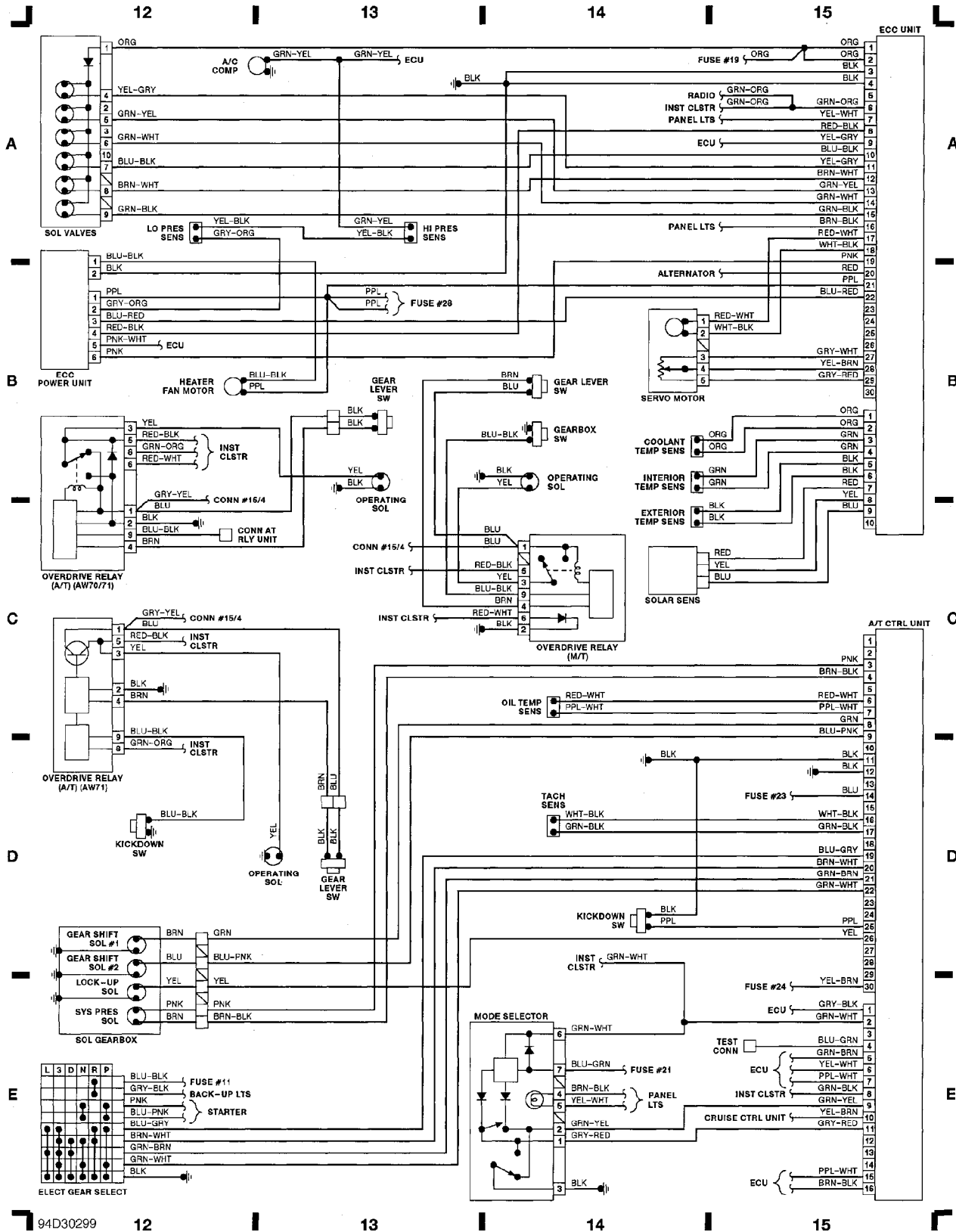
Fig. 4: ECC Control Unit, A/T Control Unit (Grid 12-15)

1993 Volvo 960

For x

Copyright © 1998 Mitchell Repair Information Company, LLC

Saturday, July 24, 2004 12:04AM



WIRING DIAGRAMS

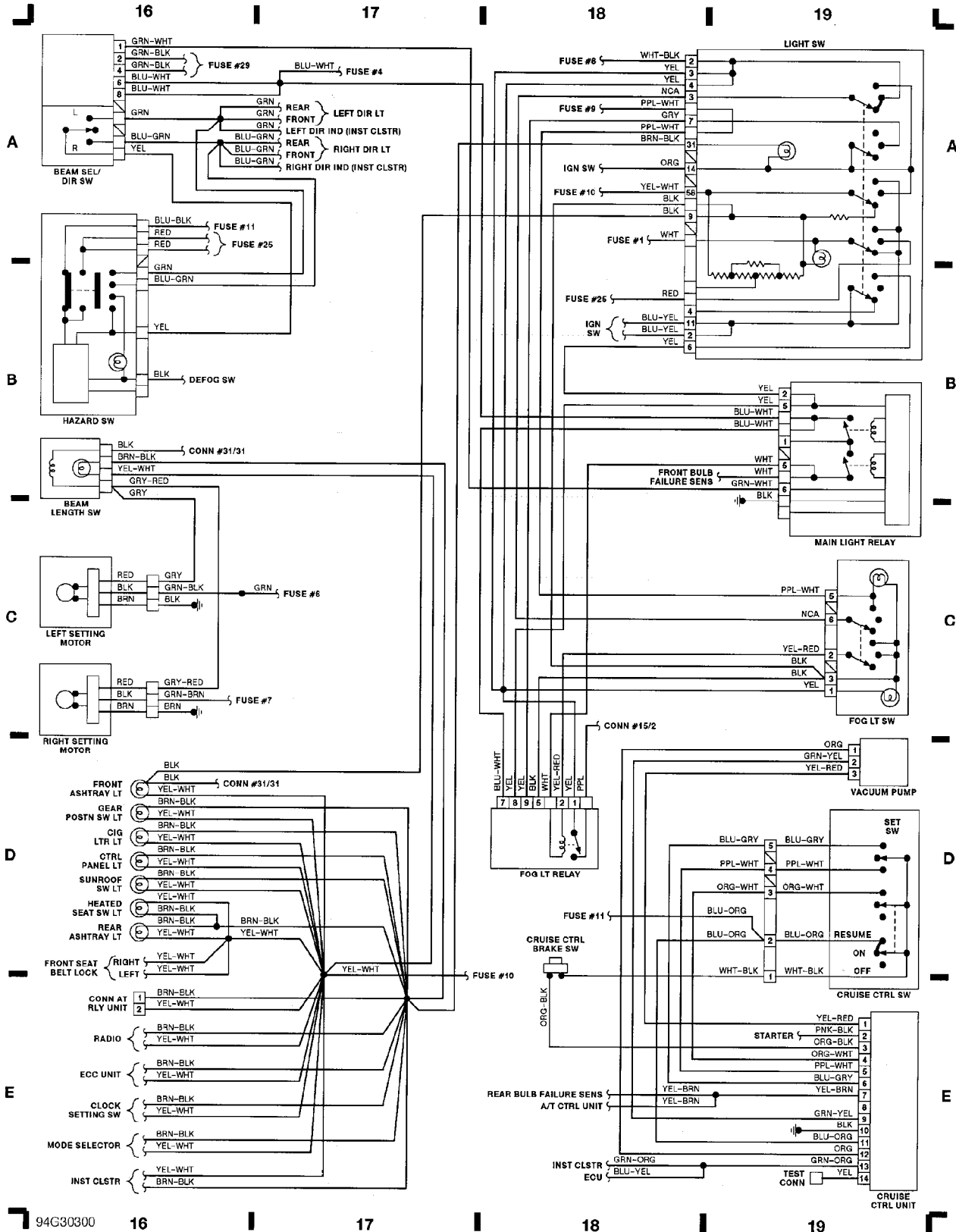
Fig. 5: Light Sw, Hazard Sw, Cruise Control Unit (Grid 16-19)

1993 Volvo 960

For x

Copyright © 1998 Mitchell Repair Information Company, LLC

Saturday, July 24, 2004 12:04AM



WIRING DIAGRAMS

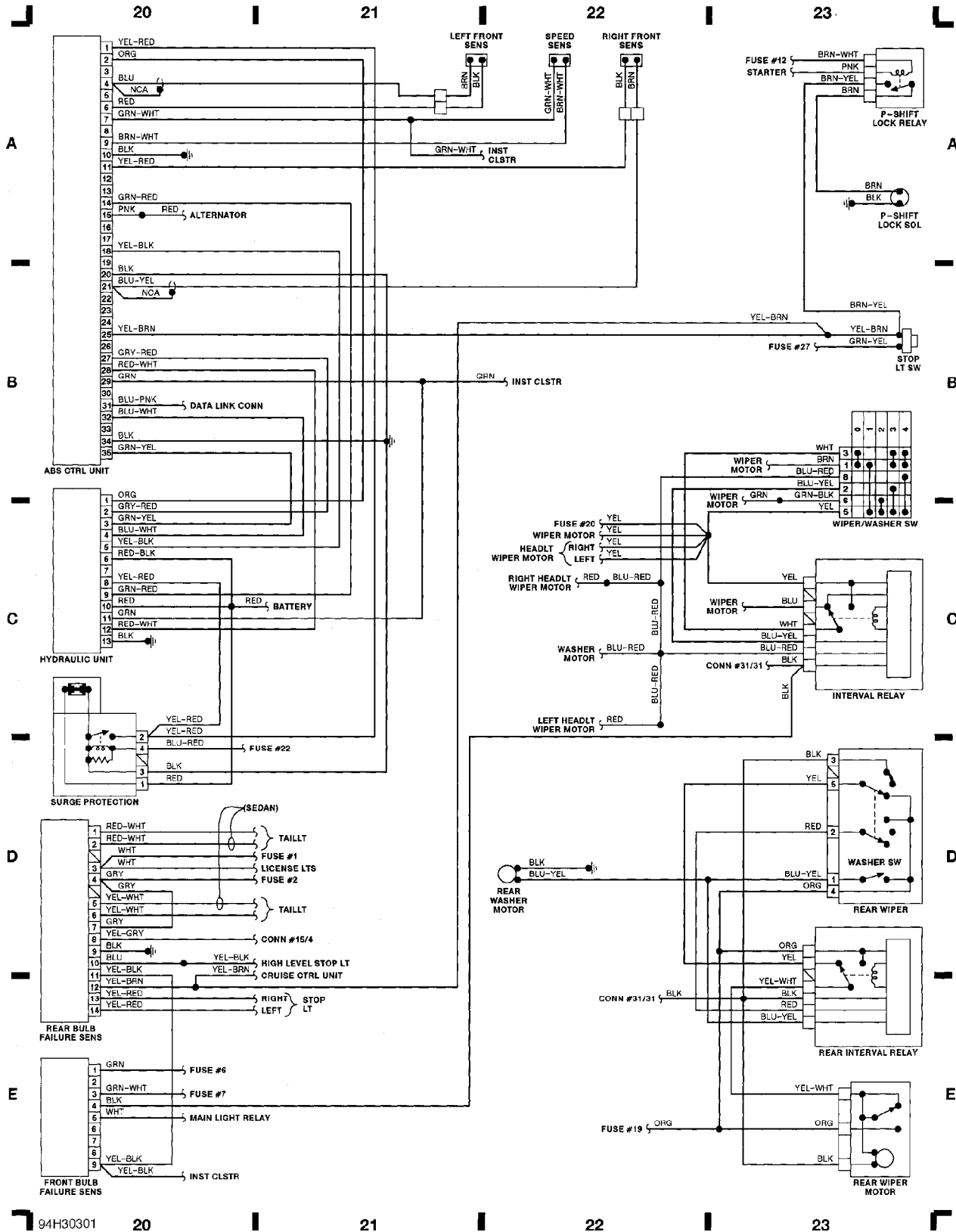
Fig. 6: ABS Control Unit, Rear Wiper Motor (Grid 20-23)

1993 Volvo 960

For x

Copyright © 1998 Mitchell Repair Information Company, LLC

Saturday, July 24, 2004 12:04AM



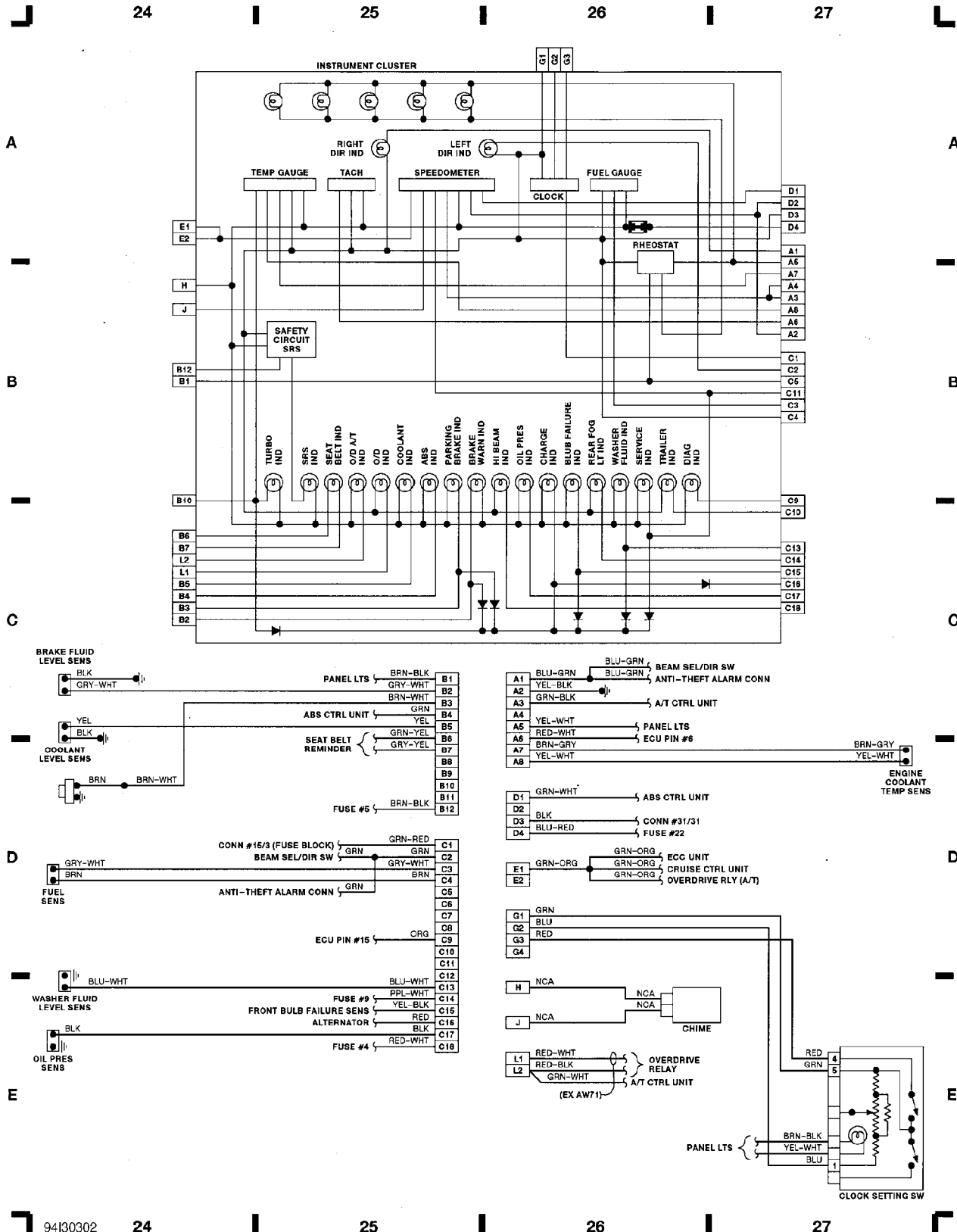
WIRING DIAGRAMS

Fig. 7: Instrument Cluster, Clock Setting Sw (Grid 24-27)

1993 Volvo 960

For x

Copyright © 1998 Mitchell Repair Information Company, LLC
Saturday, July 24, 2004 12:04AM



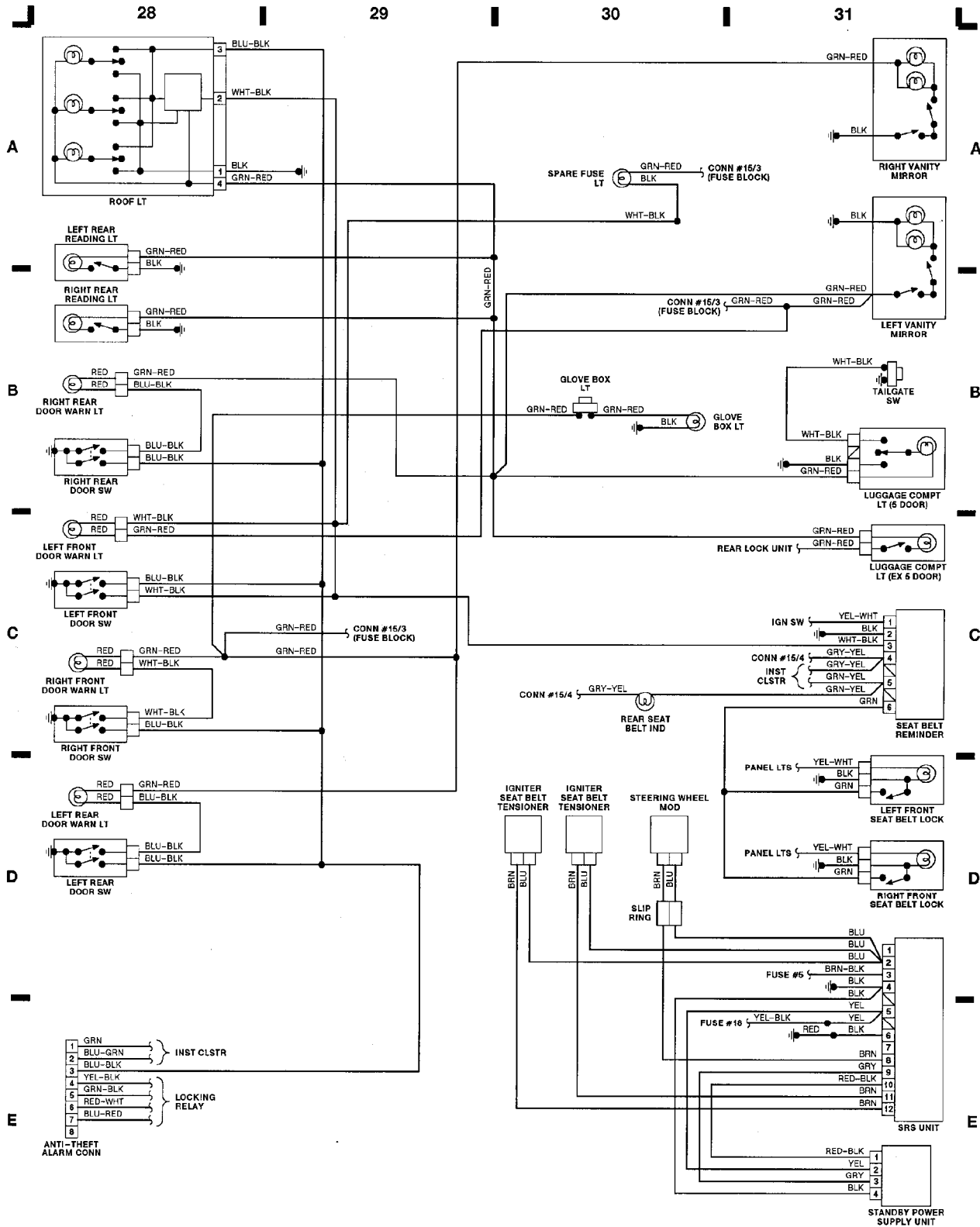
WIRING DIAGRAMS

Fig. 8: Roof Light, Door Warning Lights (Grid 28-31)

1993 Volvo 960

For x

Copyright © 1998 Mitchell Repair Information Company, LLC
Saturday, July 24, 2004 12:04AM



WIRING DIAGRAMS

Fig. 9: Power Seat (W/Memory), Memory Control Unit (Grid 32-35)

1993 Volvo 960

For x

Copyright © 1998 Mitchell Repair Information Company, LLC

Saturday, July 24, 2004 12:04AM

